

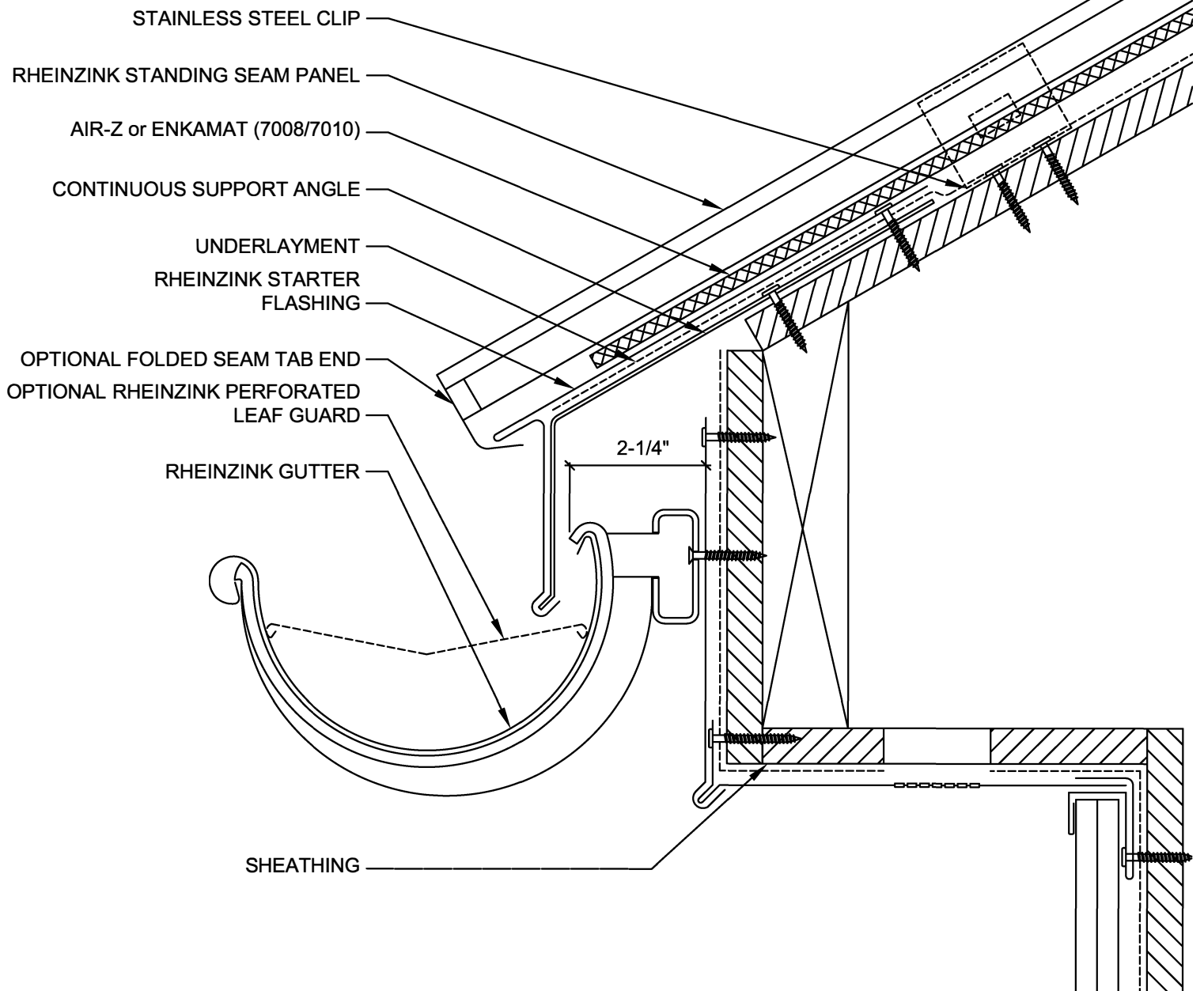
RHEINZINK America, Inc.

STANDING SEAM ROOF DETAILS

INDEX OF DRAWINGS

STANDARD DETAILS:

- SSR-1 - EAVE EDGE - WITH GUTTER - OPT. 1
- SSR-1b - EAVE EDGE - WITHOUT GUTTER
- SSR-2 - BUILT-IN GUTTER DETAIL
- SSR-3a - RIDGE / HIP DETAIL - OPT. 1
- SSR-3b - RIDGE / HIP DETAIL - OPT. 2
- SSR-4a - MONO PITCH RIDGE DETAIL - OPT. 1
- SSR-4b - MONO PITCH RIDGE DETAIL - OPT. 2
- SSR-5 - STEEP SLOPE VALLEY DETAIL
- SSR-6 - MID SLOPE VALLEY DETAIL
- SSR-7a - RAKE EDGE DETAIL - OPT. 1
- SSR-7b - RAKE EDGE DETAIL - OPT. 2
- SSR-7c - RAKE EDGE DETAIL - OPT. 3
- SSR-8 - STEEP SLOPE CROSS JOINT DETAIL
- SSR-9 - MID SLOPE CROSS JOINT DETAIL
- SSR-10a - ROOF TO WALL TRANSITION DETAIL - OPT. 1
- SSR-10b - ROOF TO WALL TRANSITION DETAIL - OPT. 2
- SSR-11 - SIDEWALL DETAIL
- SSR-12 - SKYLIGHT SILL DETAIL
- SSR-13 - SKYLIGHT HEAD DETAIL
- SSR-14 - SKYLIGHT JAMB DETAIL
- SSR-15a - VENT PIPE PENETRATION DETAIL - OPT. 1
- SSR-15b - VENT PIPE PENETRATION DETAIL - OPT. 2
- SSR-16 - PANEL PROFILE & CLIP DETAIL



NOTES:

1. STANDING SEAM PANELS REQUIRE A MIN. OF 3:12 SLOPE.
2. STANDING SEAM PANEL SYSTEMS REQUIRE AIR-Z OR ENKAMAT (7008 OR 7010); SEE REQUIREMENTS BASED ON SLOPE.
3. RHEINZINK RECOMMENDS STAINLESS STEEL FASTENERS AND CLIPS.



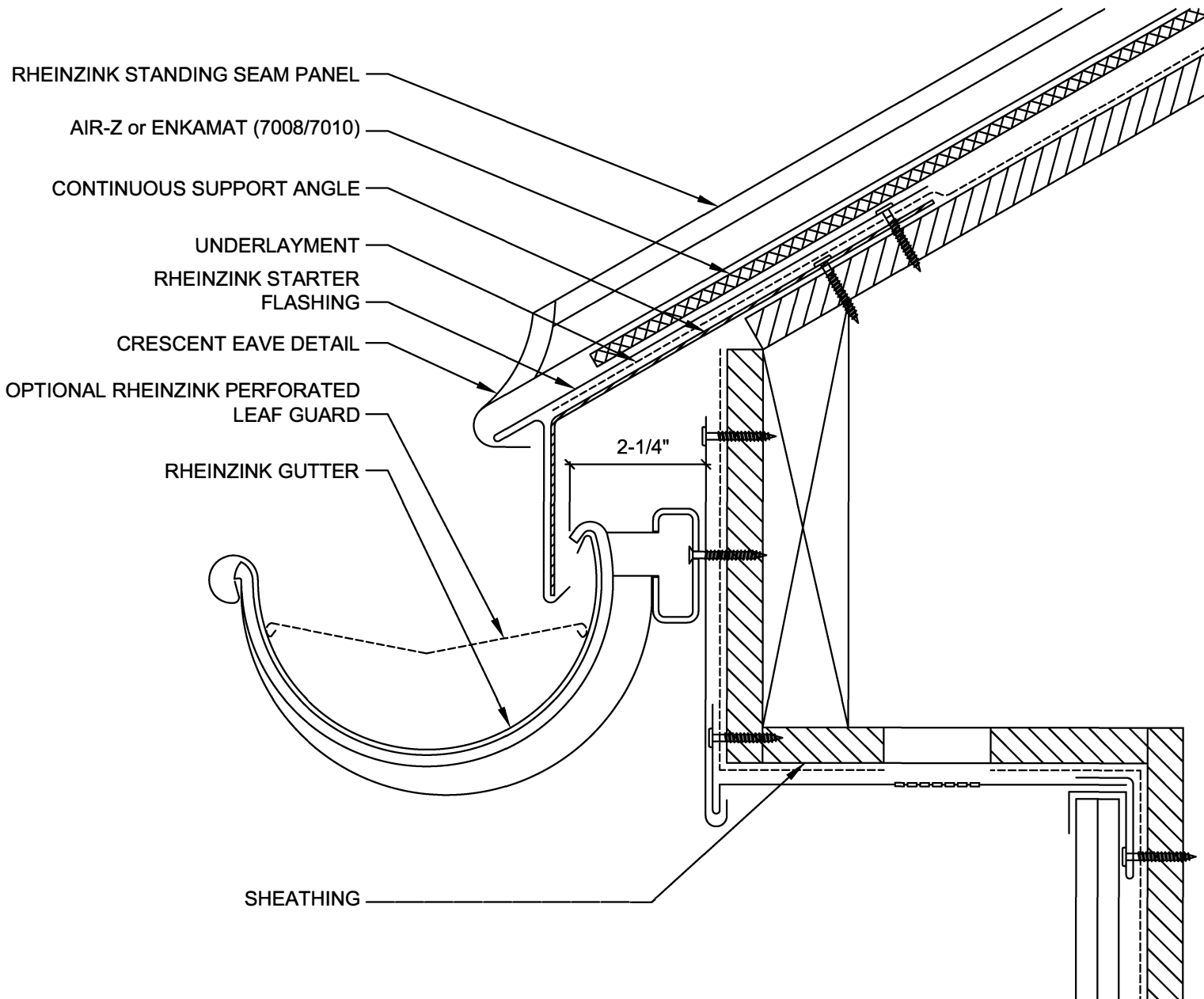
Website: www.rheinzink.us E-mail: info@rheinzink.com

INFORMATION AND DETAILS HEREIN ARE ONLY A BASELINE FOR SYSTEM DESIGN AND INSTALLATION. MODIFICATION TO MEET PROJECT REQUIREMENTS IS THE RESPONSIBILITY OF THE DESIGNER AND ARCHITECT. RHEINZINK GMBH & CO KG MAKES NO REPRESENTATIONS AND WARRANTIES OTHER THAN THOSE EXPRESSED HEREIN.

PROJECT:	STANDING SEAM ROOF DETAIL	DATE:	2-2026
----------	---------------------------	-------	--------


DRAWING TITLE:	EAVE EDGE DETAIL - WITH GUTTER	SCALE:	N.T.S.
----------------	--------------------------------	--------	--------

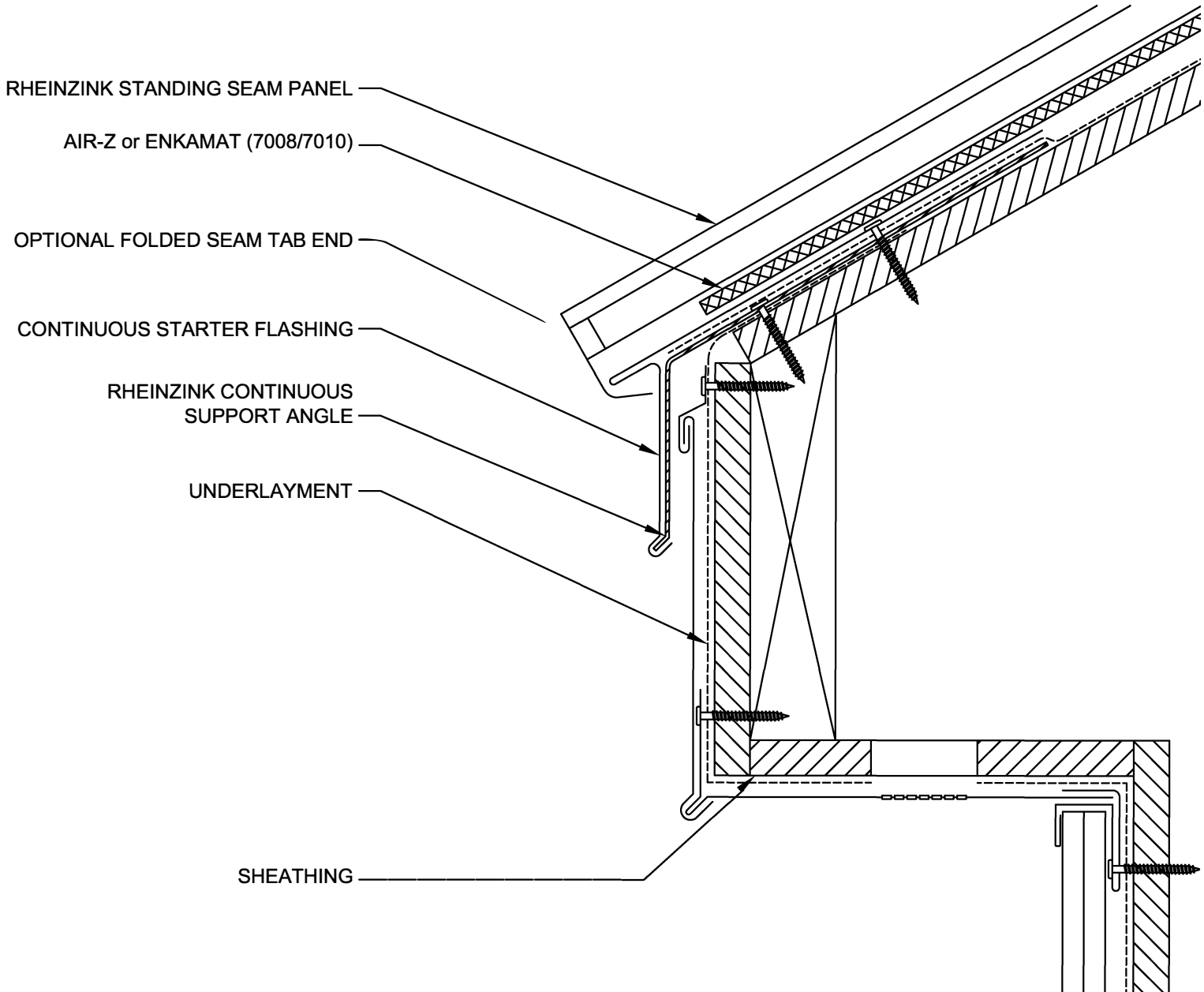
COPYRIGHT RESERVED. THIS DRAWING REMAINS THE PROPERTY OF RHEINZINK.	SHEET:	SSR-1a
---	--------	--------



NOTES:


1. STANDING SEAM PANELS REQUIRE A MIN. OF 3:12 SLOPE.
2. STANDING SEAM PANEL SYSTEMS REQUIRE AIR-Z OR ENKAMAT (7008 OR 7010); SEE REQUIREMENTS BASED ON SLOPE.
3. RHEINZINK RECOMMENDS STAINLESS STEEL FASTENERS AND CLIPS.

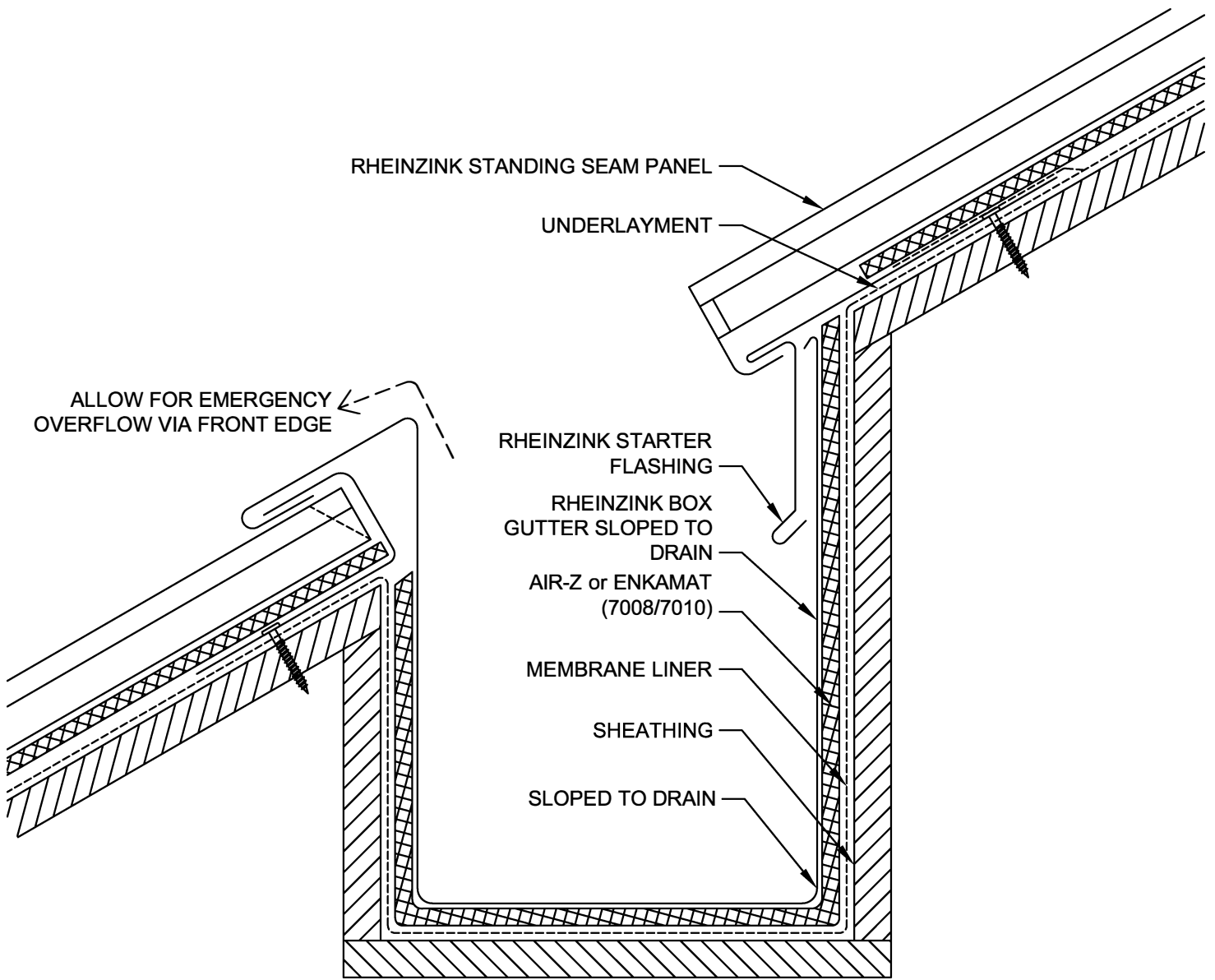
 Website: www.rheinzink.us E-mail: info@rheinzink.com	
INFORMATION AND DETAILS HEREIN ARE ONLY A BASELINE FOR SYSTEM DESIGN AND INSTALLATION. MODIFICATION TO MEET PROJECT REQUIREMENTS IS THE RESPONSIBILITY OF THE DESIGNER AND ARCHITECT. RHEINZINK GMBH & CO KG MAKES NO REPRESENTATIONS AND WARRANTIES OTHER THAN THOSE EXPRESSED HEREIN.	
PROJECT:	STANDING SEAM ROOF DETAIL
DATE:	2-2026
DRAWING TITLE:	EAVE DETAIL
SCALE:	N.T.S.
COPYRIGHT RESERVED. THIS DRAWING REMAINS THE PROPERTY OF RHEINZINK.	SHEET: SSR-1b



NOTES:

1. STANDING SEAM PANELS REQUIRE A MIN. OF 3:12 SLOPE.
2. STANDING SEAM PANEL SYSTEMS REQUIRE AIR-Z OR ENKAMAT (7008 OR 7010); SEE REQUIREMENTS BASED ON SLOPE.
3. RHEINZINK RECOMMENDS STAINLESS STEEL FASTENERS AND CLIPS.

 Website: www.rheinzink.us E-mail: info@rheinzink.com			
INFORMATION AND DETAILS HEREIN ARE ONLY A BASELINE FOR SYSTEM DESIGN AND INSTALLATION. MODIFICATION TO MEET PROJECT REQUIREMENTS IS THE RESPONSIBILITY OF THE DESIGNER AND ARCHITECT. RHEINZINK GMBH & CO KG MAKES NO REPRESENTATIONS AND WARRANTIES OTHER THAN THOSE EXPRESSED HEREIN.			
PROJECT:	STANDING SEAM ROOF DETAIL	DATE:	2-2026
DRAWING TITLE:	EAVE EDGE WITHOUT GUTTER	SCALE:	N.T.S.
COPYRIGHT RESERVED. THIS DRAWING REMAINS THE PROPERTY OF RHEINZINK.		SHEET:	SSR-1c



NOTES:

1. STANDING SEAM PANELS REQUIRE A MIN. OF 3:12 SLOPE.
2. STANDING SEAM PANEL SYSTEMS REQUIRE AIR-Z OR ENKAMAT (7008 OR 7010); SEE REQUIREMENTS BASED ON SLOPE.
3. RHEINZINK RECOMMENDS STAINLESS STEEL FASTENERS AND CLIPS.



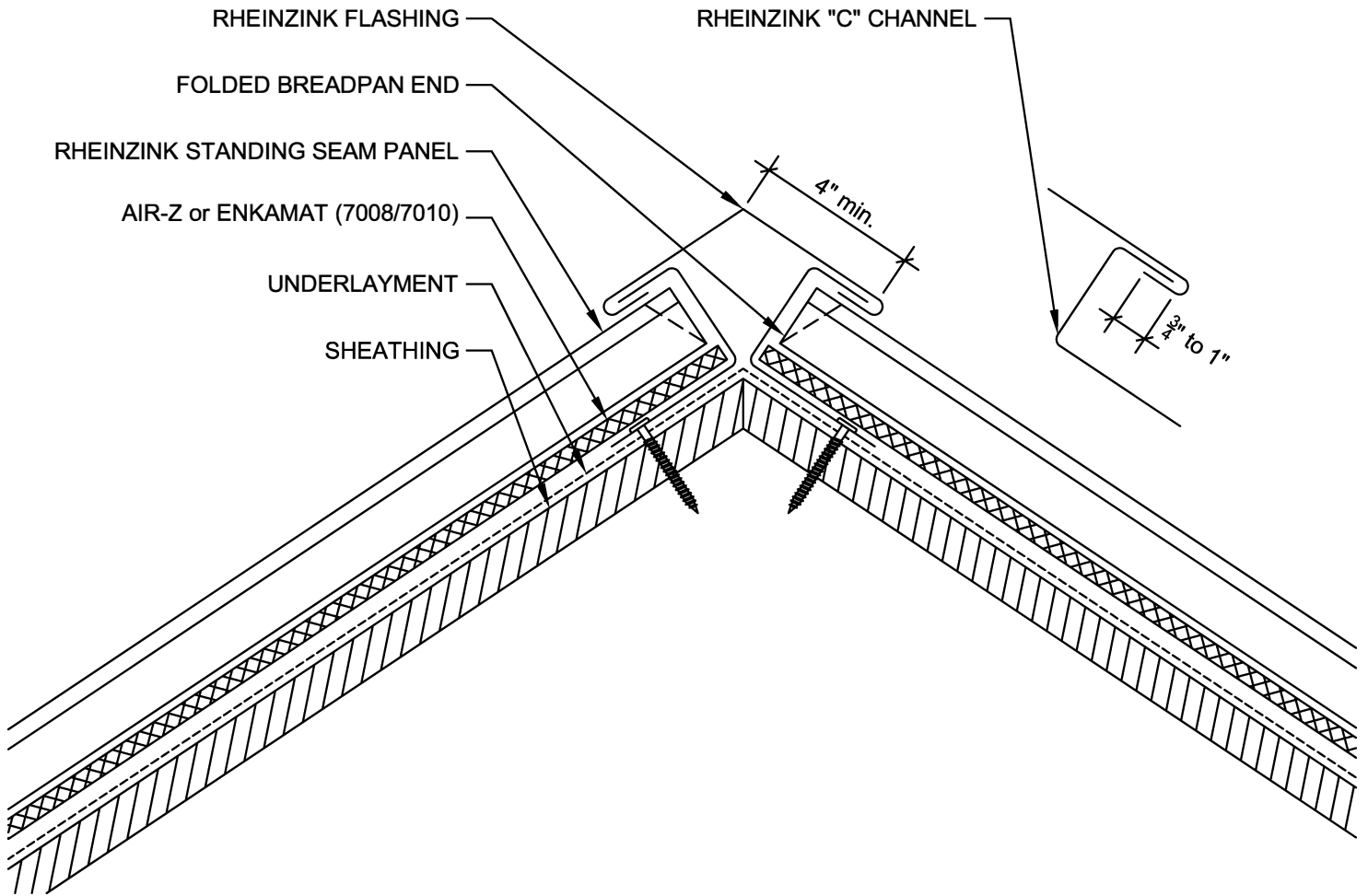
Website: www.rheinzink.us E-mail: info@rheinzink.com

INFORMATION AND DETAILS HEREIN ARE ONLY A BASELINE FOR SYSTEM DESIGN AND INSTALLATION. MODIFICATION TO MEET PROJECT REQUIREMENTS IS THE RESPONSIBILITY OF THE DESIGNER AND ARCHITECT. RHEINZINK GMBH & CO KG MAKES NO REPRESENTATIONS AND WARRANTIES OTHER THAN THOSE EXPRESSED HEREIN.

PROJECT:	STANDING SEAM ROOF DETAIL	DATE:	2-2026
----------	---------------------------	-------	--------


DRAWING TITLE:	BUILT-IN GUTTER DETAIL	SCALE:	N.T.S.
----------------	------------------------	--------	--------

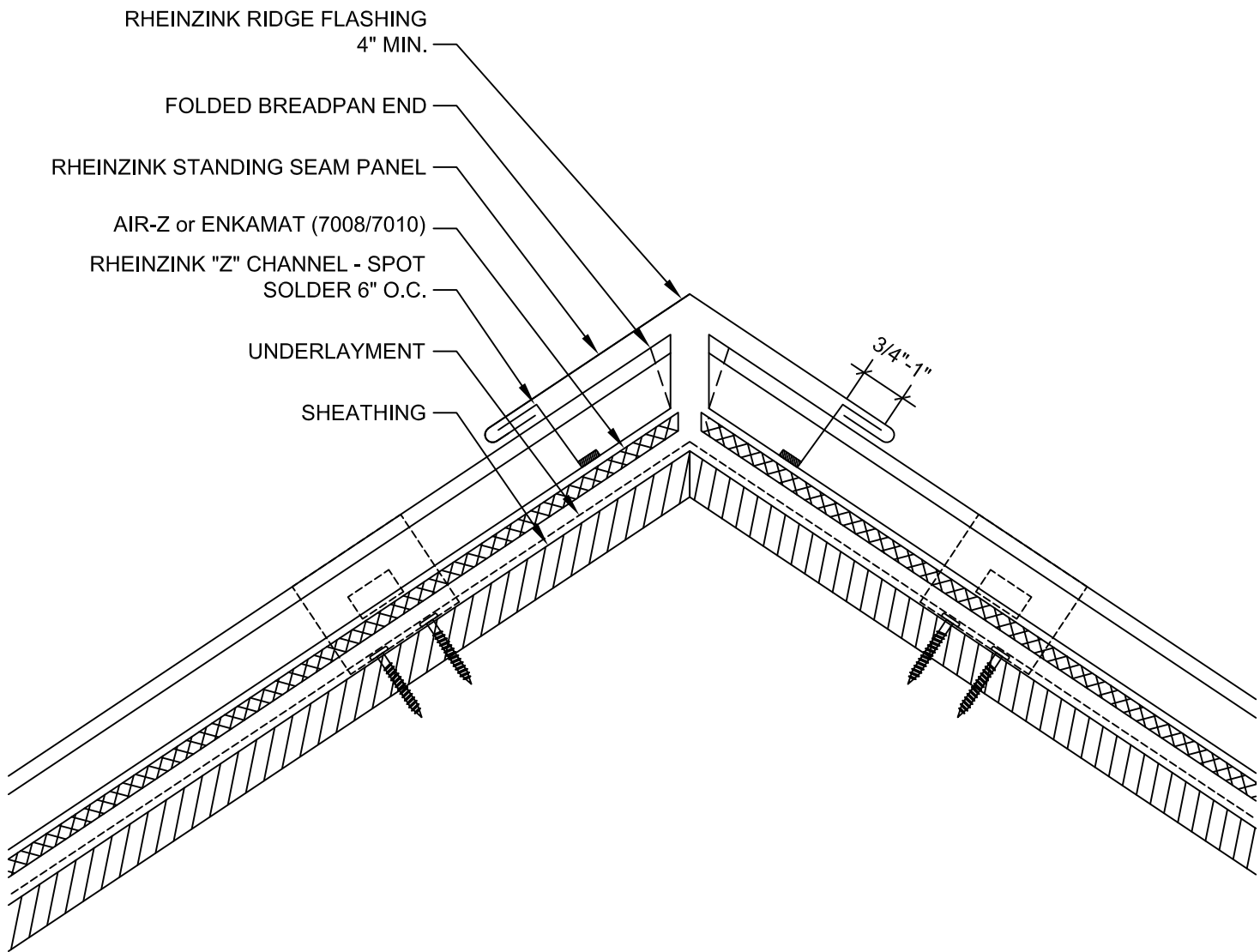
COPYRIGHT RESERVED. THIS DRAWING REMAINS THE PROPERTY OF RHEINZINK.	SHEET:	SSR-2
---	--------	-------



NOTES:


1. STANDING SEAM PANELS REQUIRE A MIN. OF 3:12 SLOPE.
2. STANDING SEAM PANEL SYSTEMS REQUIRE AIR-Z OR ENKAMAT (7008 OR 7010); SEE REQUIREMENTS BASED ON SLOPE.
3. RHEINZINK RECOMMENDS STAINLESS STEEL FASTENERS AND CLIPS.

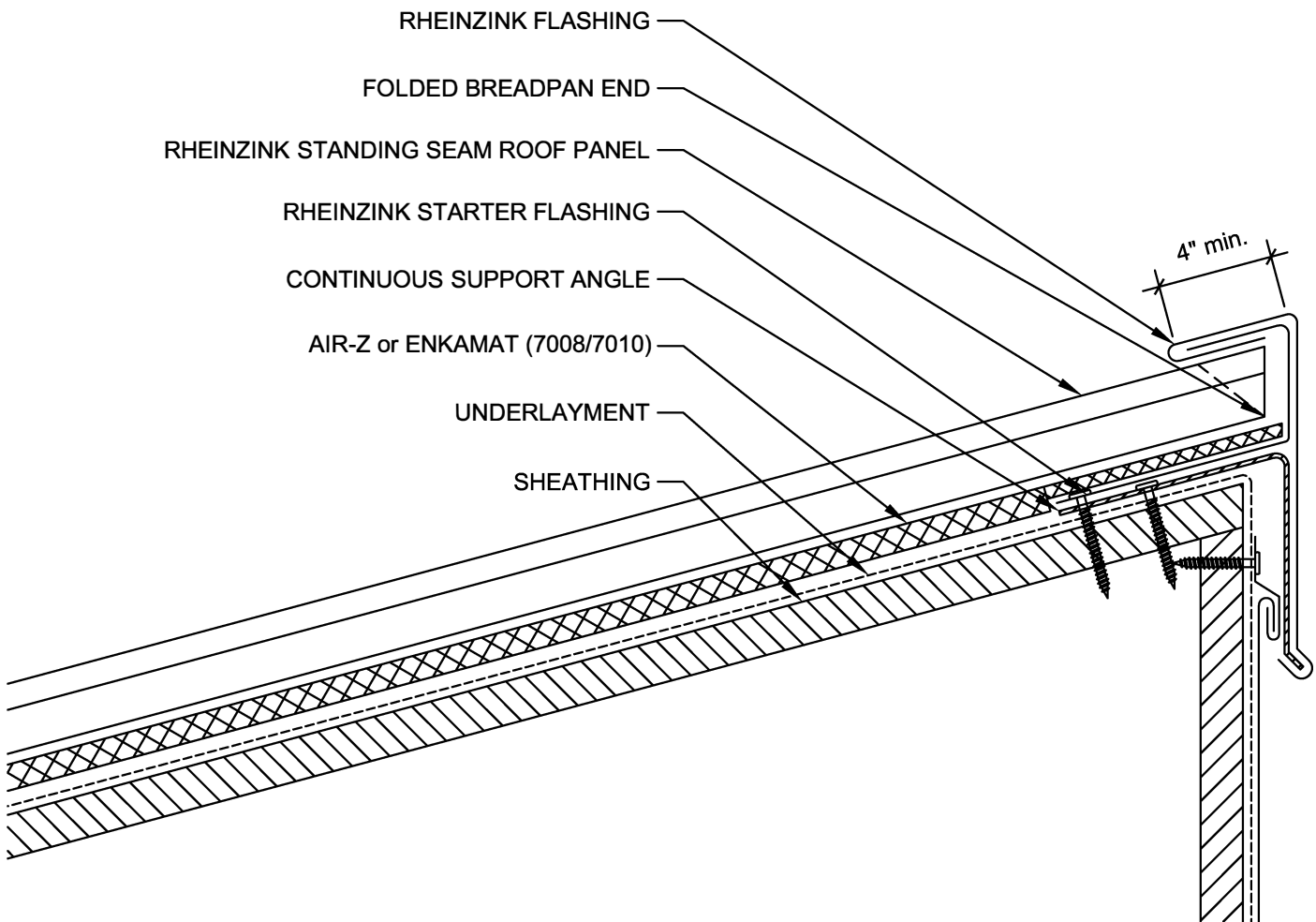
 Website: www.rheinzink.us E-mail: info@rheinzink.com		
INFORMATION AND DETAILS HEREIN ARE ONLY A BASELINE FOR SYSTEM DESIGN AND INSTALLATION. MODIFICATION TO MEET PROJECT REQUIREMENTS IS THE RESPONSIBILITY OF THE DESIGNER AND ARCHITECT. RHEINZINK GMBH & CO KG MAKES NO REPRESENTATIONS AND WARRANTIES OTHER THAN THOSE EXPRESSED HEREIN.		
PROJECT:	STANDING SEAM ROOF DETAIL	DATE: 2-2026
DRAWING TITLE:	RIDGE / HIP DETAIL - OPT. 1	SCALE: N.T.S.
COPYRIGHT RESERVED. THIS DRAWING REMAINS THE PROPERTY OF RHEINZINK.		SHEET: SSR-3a



NOTES:


1. STANDING SEAM PANELS REQUIRE A MIN. OF 3:12 SLOPE.
2. STANDING SEAM PANEL SYSTEMS REQUIRE AIR-Z OR ENKAMAT (7008 OR 7010); SEE REQUIREMENTS BASED ON SLOPE.
3. RHEINZINK RECOMMENDS STAINLESS STEEL FASTENERS AND CLIPS.
4. RHEINZINK STARTER FLASHING - NON-SUPPORTED RIDGE CAP - SUPPORT NEEDED FOR WIDTHS GREATER THAN 4"

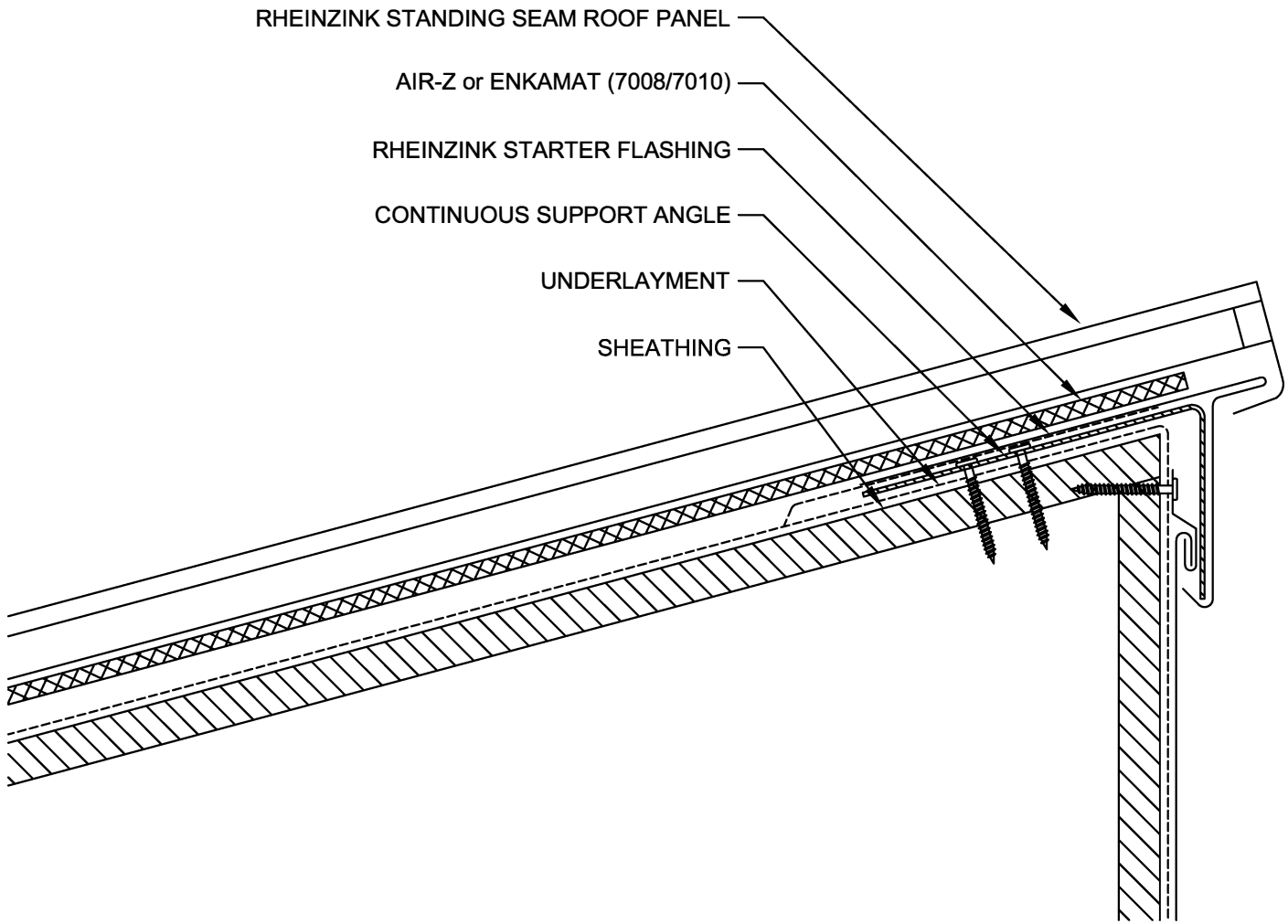
 Website: www.rheinzink.us E-mail: info@rheinzink.com	
INFORMATION AND DETAILS HEREIN ARE ONLY A BASELINE FOR SYSTEM DESIGN AND INSTALLATION. MODIFICATION TO MEET PROJECT REQUIREMENTS IS THE RESPONSIBILITY OF THE DESIGNER AND ARCHITECT. RHEINZINK GMBH & CO KG MAKES NO REPRESENTATIONS AND WARRANTIES OTHER THAN THOSE EXPRESSED HEREIN.	
PROJECT:	STANDING SEAM ROOF DETAIL
DATE:	2-2026
DRAWING TITLE:	RIDGE / HIP DETAIL - OPT. 2
SCALE:	N.T.S.
COPYRIGHT RESERVED. THIS DRAWING REMAINS THE PROPERTY OF RHEINZINK.	SHEET: SSR-3b



NOTES:


1. STANDING SEAM PANELS REQUIRE A MIN. OF 3:12 SLOPE.
2. STANDING SEAM PANEL SYSTEMS REQUIRE AIR-Z OR ENKAMAT (7008 OR 7010); SEE REQUIREMENTS BASED ON SLOPE.
3. RHEINZINK RECOMMENDS STAINLESS STEEL FASTENERS AND CLIPS.

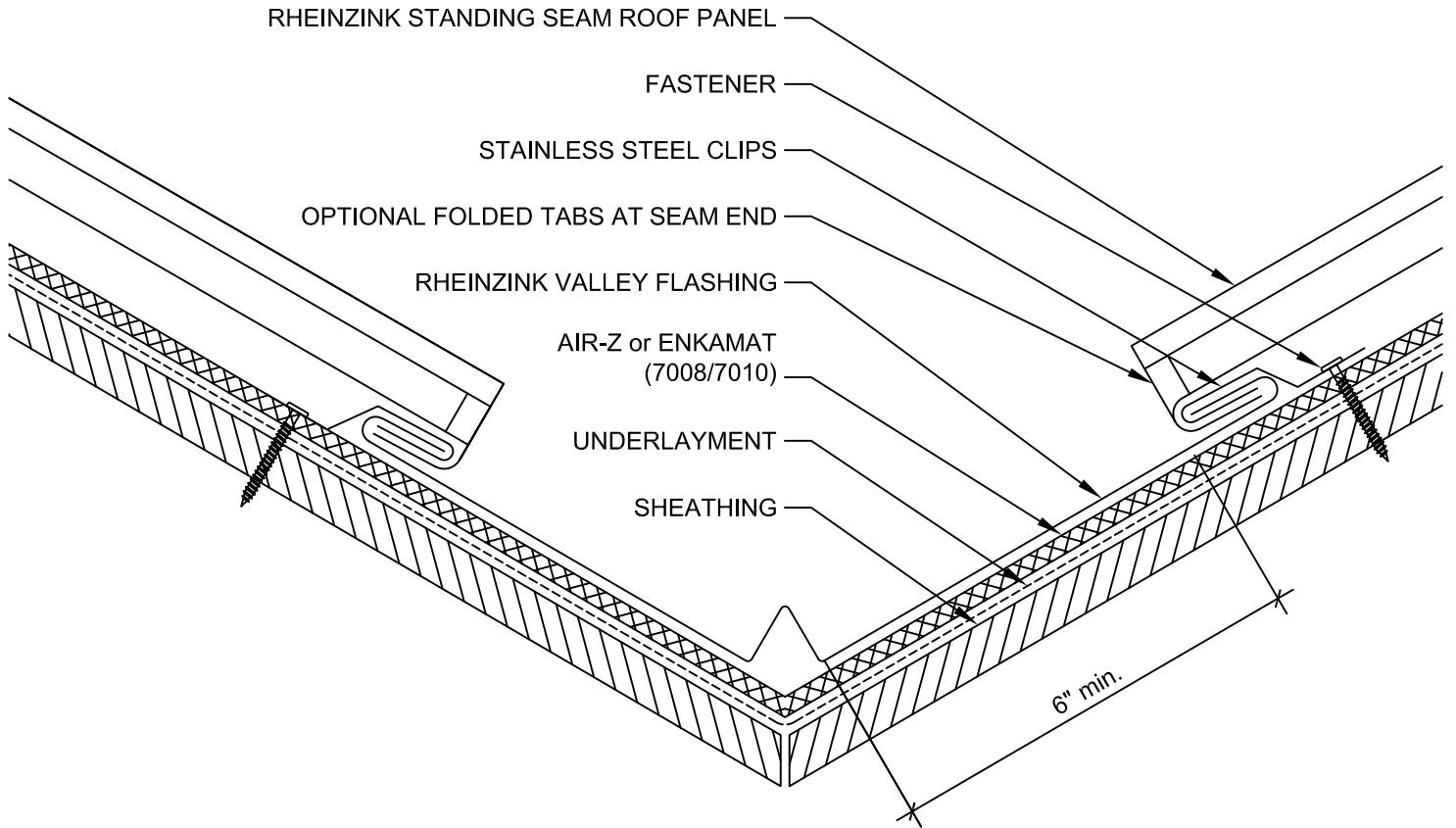
 Website: www.rheinzink.us E-mail: info@rheinzink.com			
INFORMATION AND DETAILS HEREIN ARE ONLY A BASELINE FOR SYSTEM DESIGN AND INSTALLATION. MODIFICATION TO MEET PROJECT REQUIREMENTS IS THE RESPONSIBILITY OF THE DESIGNER AND ARCHITECT. RHEINZINK GMBH & CO KG MAKES NO REPRESENTATIONS AND WARRANTIES OTHER THAN THOSE EXPRESSED HEREIN.			
PROJECT:	STANDING SEAM ROOF DETAIL	DATE:	2-2026
DRAWING TITLE:	MONO PITCH RIDGE DETAIL - OPT. 1	SCALE:	N.T.S.
COPYRIGHT RESERVED. THIS DRAWING REMAINS THE PROPERTY OF RHEINZINK.		SHEET:	SSR-4a



NOTES:


1. STANDING SEAM PANELS REQUIRE A MIN. OF 3:12 SLOPE.
2. STANDING SEAM PANEL SYSTEMS REQUIRE AIR-Z OR ENKAMAT (7008 OR 7010); SEE REQUIREMENTS BASED ON SLOPE.
3. RHEINZINK RECOMMENDS STAINLESS STEEL FASTENERS AND CLIPS.
4. CONTINUOUS SUPPORT FLASHING TO BE USED ON A ROOF PITCH OF 4:12 OR GREATER.

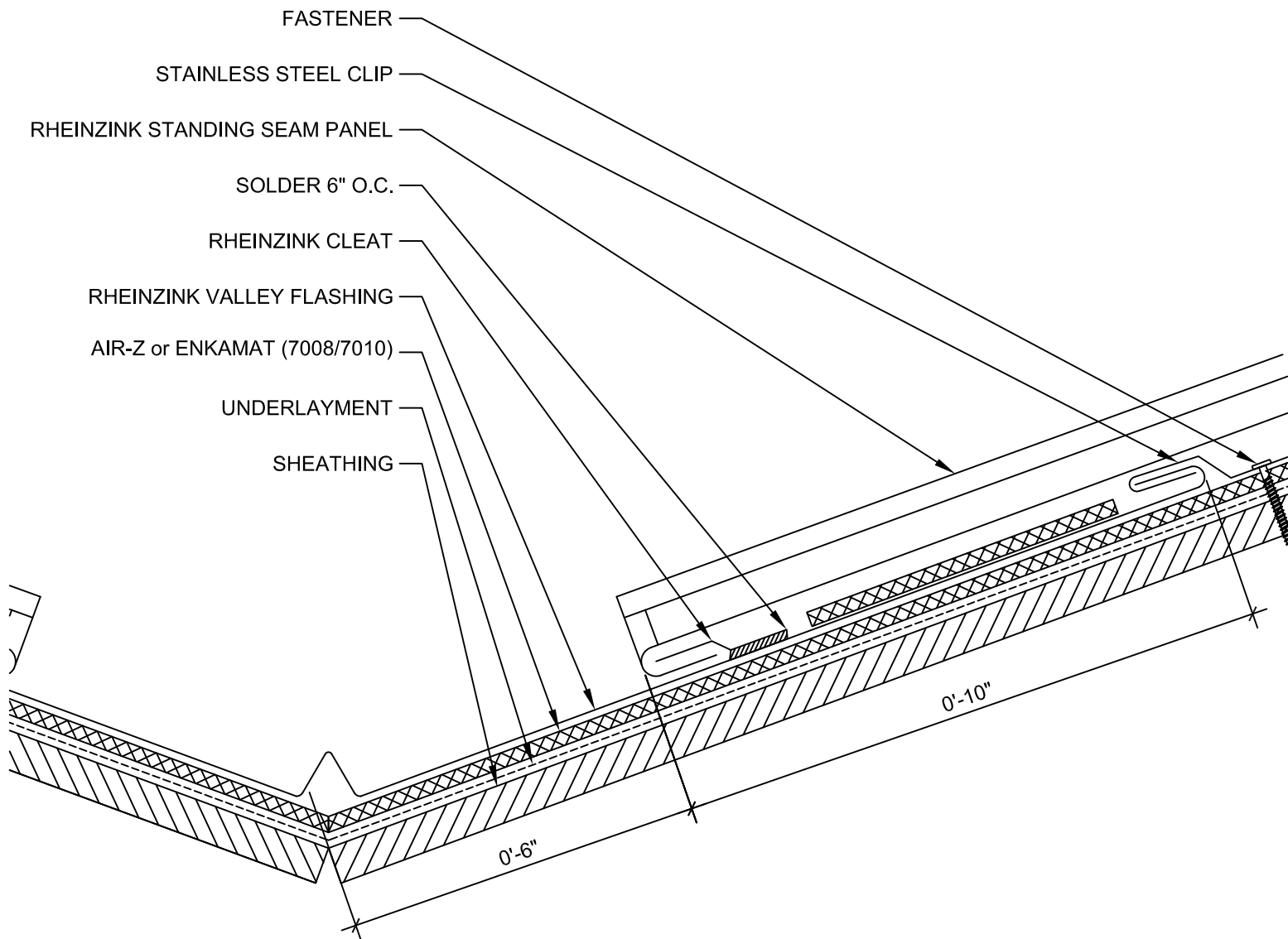
 Website: www.rheinzink.us E-mail: info@rheinzink.com			
INFORMATION AND DETAILS HEREIN ARE ONLY A BASELINE FOR SYSTEM DESIGN AND INSTALLATION. MODIFICATION TO MEET PROJECT REQUIREMENTS IS THE RESPONSIBILITY OF THE DESIGNER AND ARCHITECT. RHEINZINK GMBH & CO KG MAKES NO REPRESENTATIONS AND WARRANTIES OTHER THAN THOSE EXPRESSED HEREIN.			
PROJECT:	STANDING SEAM ROOF DETAIL	DATE:	2-2026
DRAWING TITLE:	MONO PITCH RIDGE DETAIL - OPT. 2	SCALE:	N.T.S.
COPYRIGHT RESERVED. THIS DRAWING REMAINS THE PROPERTY OF RHEINZINK.		SHEET:	SSR-4b



NOTES:

1. 6:12 MINIMUM.
2. STANDING SEAM PANEL SYSTEMS REQUIRE RHEINZINK ENKAMAT (7008 OR 7010); SEE REQUIREMENTS BASED ON SLOPE.
3. RHEINZINK RECOMMENDS STAINLESS STEEL FASTENERS AND CLIPS.

 Website: www.rheinzink.us E-mail: info@rheinzink.com	
INFORMATION AND DETAILS HEREIN ARE ONLY A BASELINE FOR SYSTEM DESIGN AND INSTALLATION. MODIFICATION TO MEET PROJECT REQUIREMENTS IS THE RESPONSIBILITY OF THE DESIGNER AND ARCHITECT. RHEINZINK GMBH & CO KG MAKES NO REPRESENTATIONS AND WARRANTIES OTHER THAN THOSE EXPRESSED HEREIN.	
PROJECT:	STANDING SEAM ROOF DETAIL
DATE:	2-2026
DRAWING TITLE:	STEEP SLOPE VALLEY DETAIL
SCALE:	N.T.S.
COPYRIGHT RESERVED. THIS DRAWING REMAINS THE PROPERTY OF RHEINZINK.	SHEET: SSR-5



NOTES:

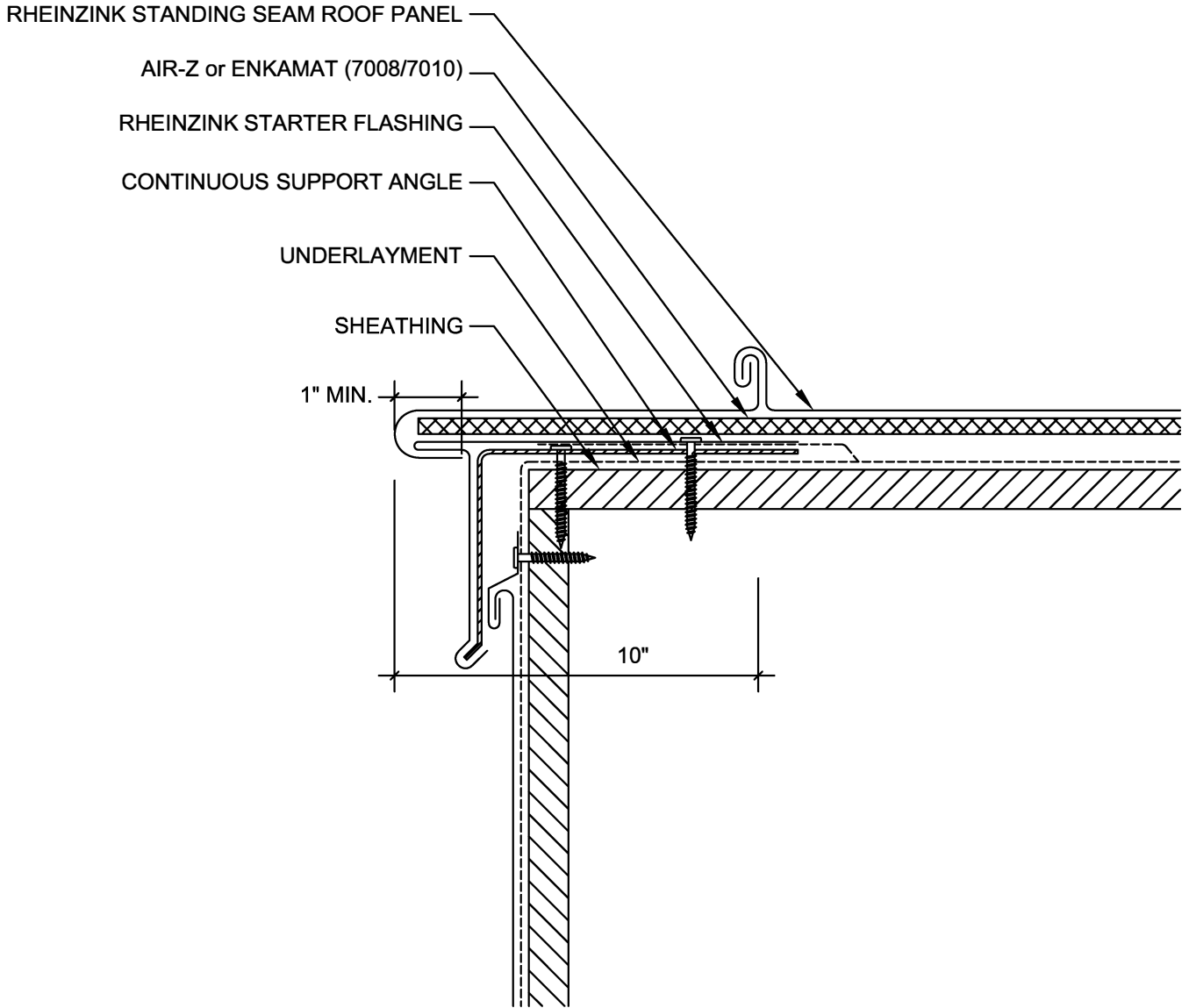
1. 3:12 TO 6:12 SLOPE.
2. STANDING SEAM PANEL SYSTEMS REQUIRE RHEINZINK AIR-Z OR ENKAMAT (7008 OR 7010); SEE REQUIREMENTS BASED ON SLOPE.
3. RHEINZINK RECOMMENDS STAINLESS STEEL FASTENERS AND CLIPS.



Website: www.rheinzink.us E-mail: info@rheinzink.com

INFORMATION AND DETAILS HEREIN ARE ONLY A BASELINE FOR SYSTEM DESIGN AND INSTALLATION. MODIFICATION TO MEET PROJECT REQUIREMENTS IS THE RESPONSIBILITY OF THE DESIGNER AND ARCHITECT. RHEINZINK GMBH & CO KG MAKES NO REPRESENTATIONS AND WARRANTIES OTHER THAN THOSE EXPRESSED HEREIN.

PROJECT:	STANDING SEAM ROOF DETAIL	DATE:	2-2026
DRAWING TITLE:	MID-SLOPE VALLEY DETAIL	SCALE:	N.T.S.
COPYRIGHT RESERVED. THIS DRAWING REMAINS THE PROPERTY OF RHEINZINK.		SHEET:	SSR-6



NOTES:

1. STANDING SEAM PANELS REQUIRE A MIN. OF 3:12 SLOPE.
2. STANDING SEAM PANEL SYSTEMS REQUIRE AIR-Z OR ENKAMAT (7008 OR 7010); SEE REQUIREMENTS BASED ON SLOPE.
3. RHEINZINK RECOMMENDS STAINLESS STEEL FASTENERS AND CLIPS.



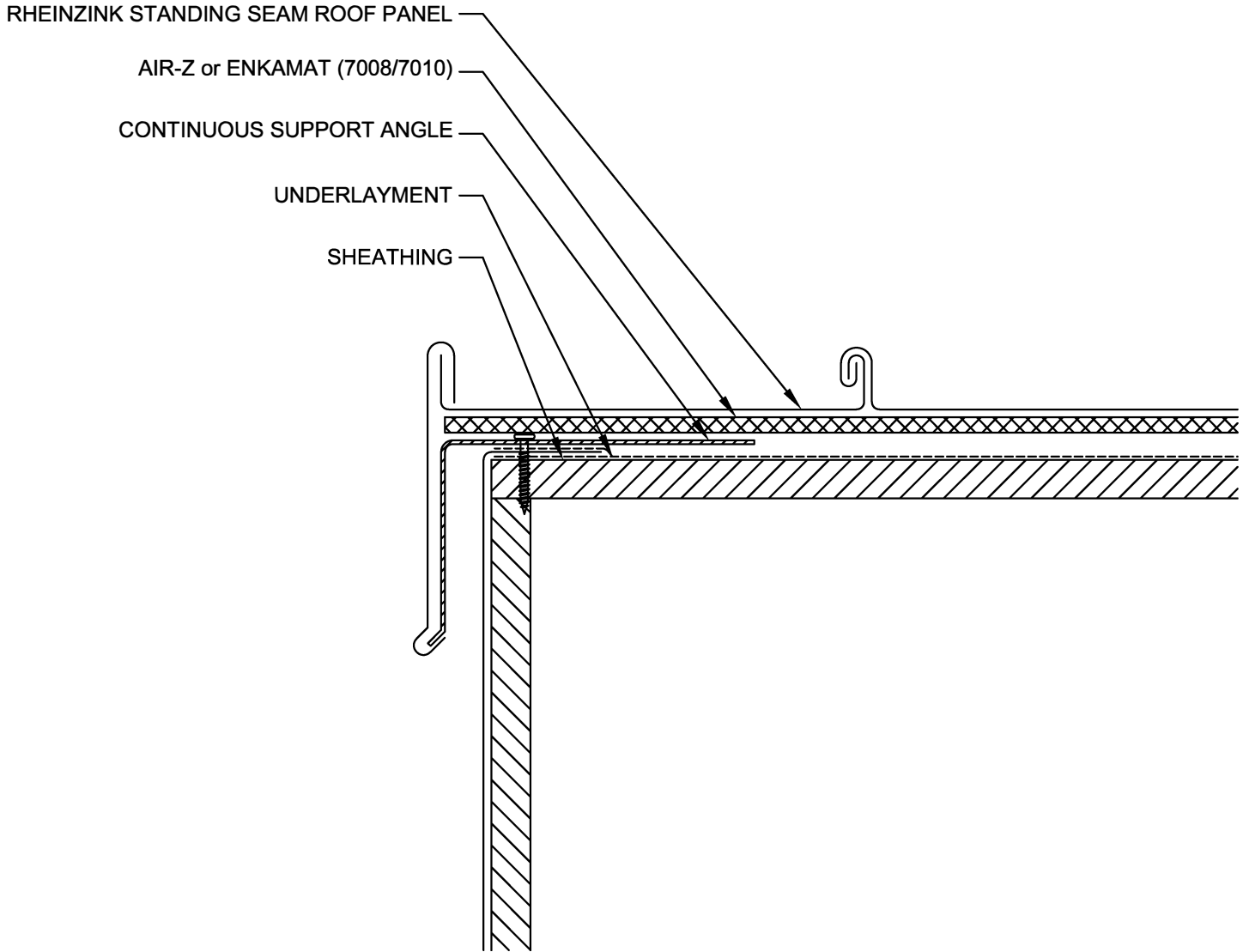
Website: www.rheinzink.us E-mail: info@rheinzink.com

INFORMATION AND DETAILS HEREIN ARE ONLY A BASELINE FOR SYSTEM DESIGN AND INSTALLATION. MODIFICATION TO MEET PROJECT REQUIREMENTS IS THE RESPONSIBILITY OF THE DESIGNER AND ARCHITECT. RHEINZINK GMBH & CO KG MAKES NO REPRESENTATIONS AND WARRANTIES OTHER THAN THOSE EXPRESSED HEREIN.

PROJECT:	STANDING SEAM ROOF DETAIL	DATE:	2-2026
----------	---------------------------	-------	--------


DRAWING TITLE:	RAKE EDGE DETAIL - OPT. 1	SCALE:	N.T.S.
----------------	---------------------------	--------	--------

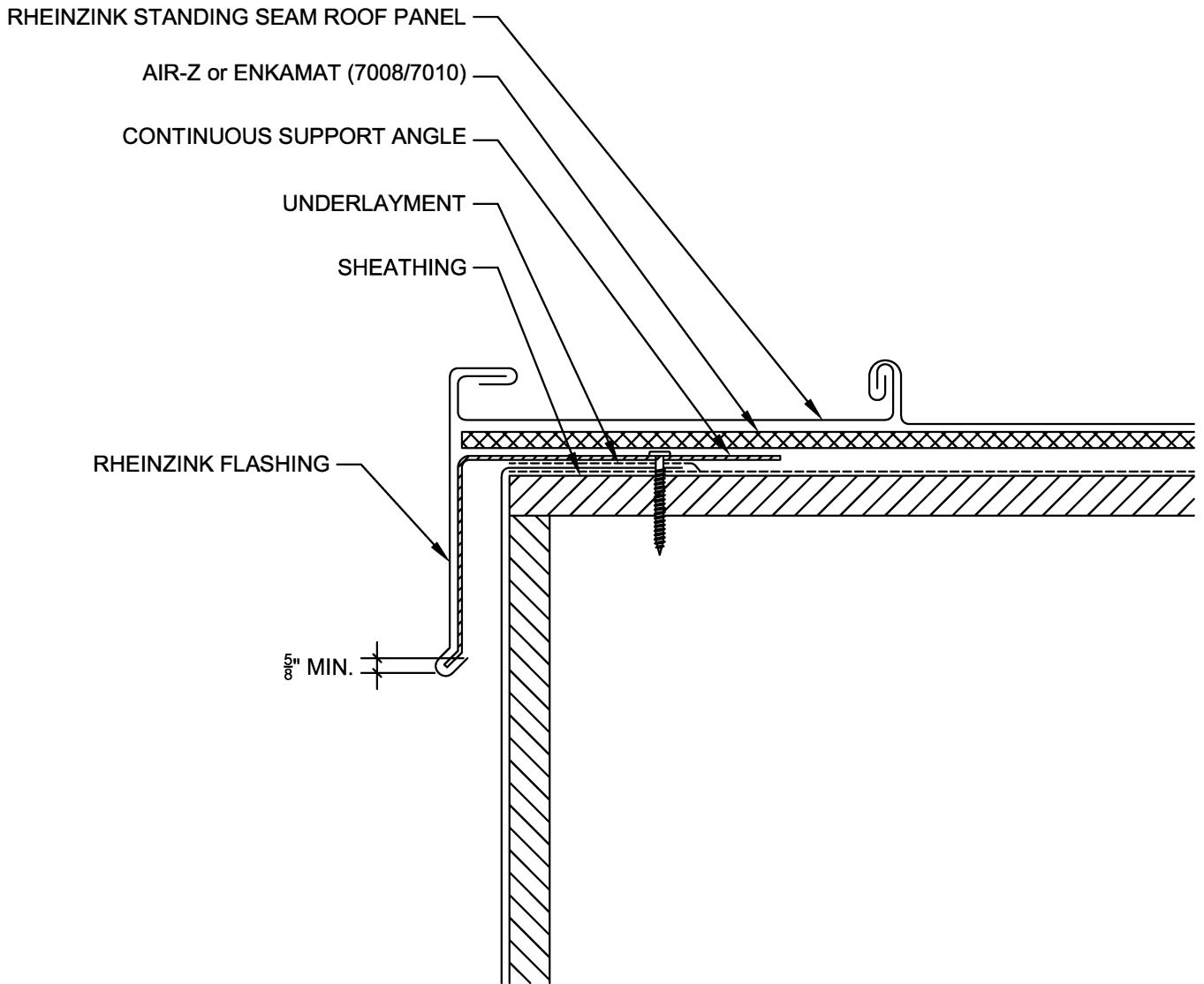
COPYRIGHT RESERVED. THIS DRAWING REMAINS THE PROPERTY OF RHEINZINK.	SHEET:	SSR-7a
---	--------	--------



NOTES:

1. STANDING SEAM PANELS REQUIRE A MIN. OF 3:12 SLOPE.
2. STANDING SEAM PANEL SYSTEMS REQUIRE AIR-Z OR ENKAMAT (7008 OR 7010); SEE REQUIREMENTS BASED ON SLOPE.
3. RHEINZINK RECOMMENDS STAINLESS STEEL FASTENERS AND CLIPS.

 Website: www.rheinzink.us E-mail: info@rheinzink.com	
INFORMATION AND DETAILS HEREIN ARE ONLY A BASELINE FOR SYSTEM DESIGN AND INSTALLATION. MODIFICATION TO MEET PROJECT REQUIREMENTS IS THE RESPONSIBILITY OF THE DESIGNER AND ARCHITECT. RHEINZINK GMBH & CO KG MAKES NO REPRESENTATIONS AND WARRANTIES OTHER THAN THOSE EXPRESSED HEREIN.	
PROJECT:	STANDING SEAM ROOF DETAIL
DATE:	2-2026
DRAWING TITLE:	RAKE EDGE DETAIL - OPT. 2
SCALE:	N.T.S.
COPYRIGHT RESERVED. THIS DRAWING REMAINS THE PROPERTY OF RHEINZINK.	SHEET: SSR-7b



NOTES:

1. STANDING SEAM PANELS REQUIRE A MIN. OF 3:12 SLOPE.
2. STANDING SEAM PANEL SYSTEMS REQUIRE AIR-Z OR ENKAMAT (7008 OR 7010); SEE REQUIREMENTS BASED ON SLOPE.
3. RHEINZINK RECOMMENDS STAINLESS STEEL FASTENERS AND CLIPS.



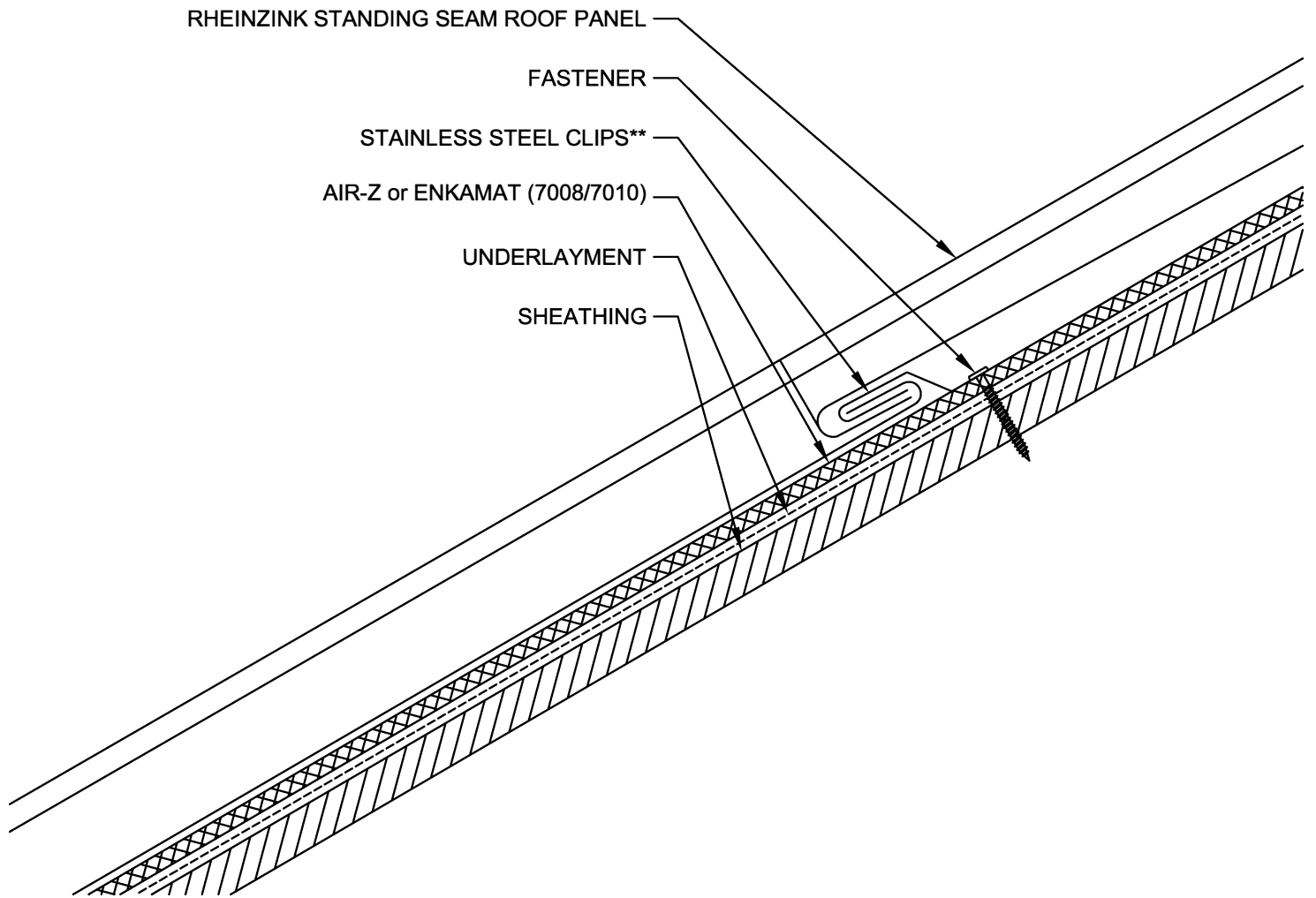
Website: www.rheinzink.us E-mail: info@rheinzink.com

INFORMATION AND DETAILS HEREIN ARE ONLY A BASELINE FOR SYSTEM DESIGN AND INSTALLATION. MODIFICATION TO MEET PROJECT REQUIREMENTS IS THE RESPONSIBILITY OF THE DESIGNER AND ARCHITECT. RHEINZINK GMBH & CO KG MAKES NO REPRESENTATIONS AND WARRANTIES OTHER THAN THOSE EXPRESSED HEREIN.

PROJECT:	STANDING SEAM ROOF DETAIL	DATE:	2-2026
----------	---------------------------	-------	--------


DRAWING TITLE:	RAKE EDGE DETAIL - OPT. 3	SCALE:	N.T.S.
----------------	---------------------------	--------	--------

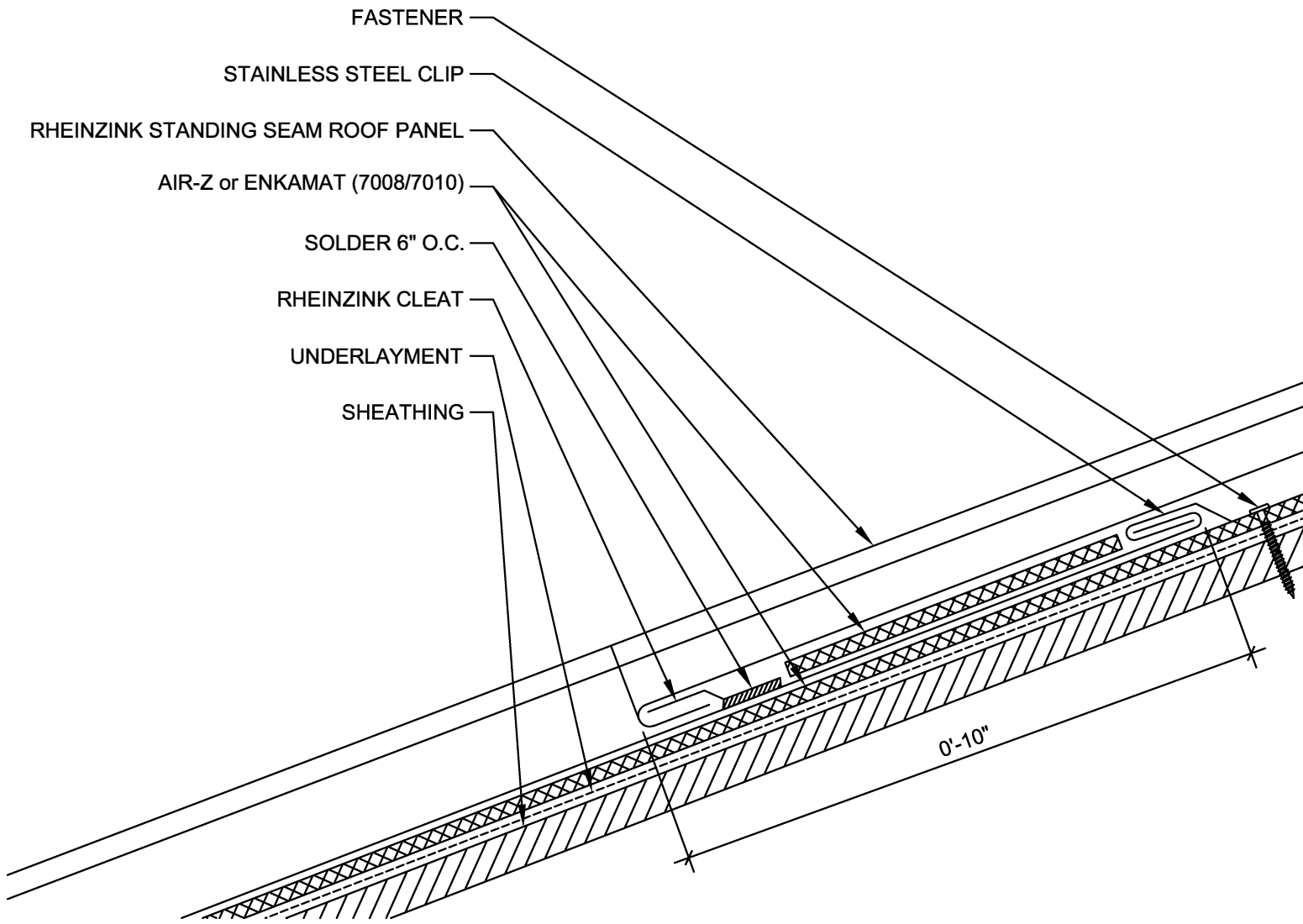
COPYRIGHT RESERVED. THIS DRAWING REMAINS THE PROPERTY OF RHEINZINK.	SHEET:	SSR-7c
---	--------	--------



NOTES:


1. STANDING SEAM PANELS REQUIRE A MIN. OF 3:12 SLOPE.
2. DETAIL FOR ROOFS 6:12 AND OVER
3. STANDING SEAM PANEL SYSTEMS REQUIRE AIR-Z OR ENKAMAT (7008 OR 7010); SEE REQUIREMENTS BASED ON SLOPE.
4. RHEINZINK RECOMMENDS STAINLESS STEEL FASTENERS AND CLIPS.

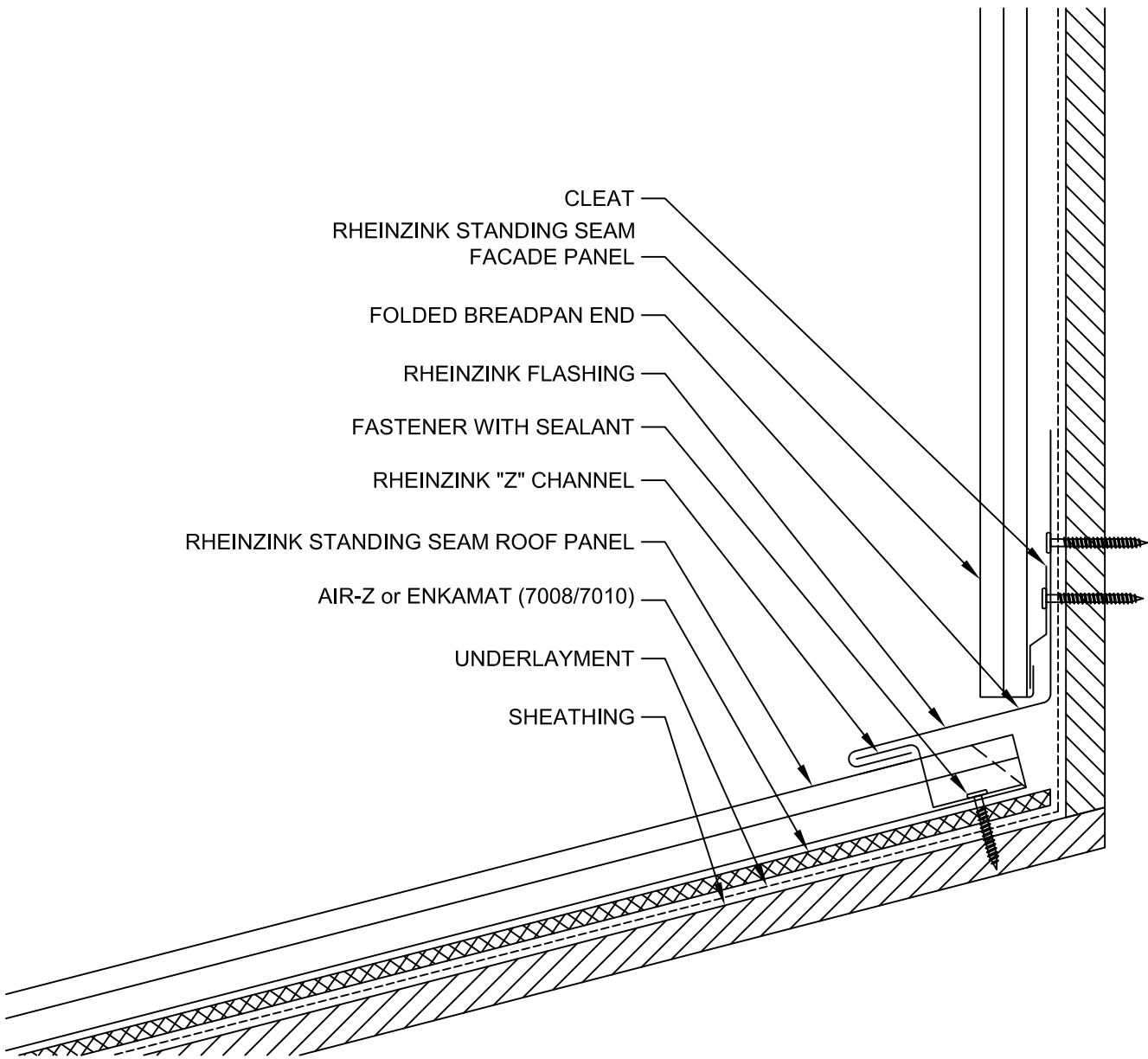
 Website: www.rheinzink.us E-mail: info@rheinzink.com			
INFORMATION AND DETAILS HEREIN ARE ONLY A BASELINE FOR SYSTEM DESIGN AND INSTALLATION. MODIFICATION TO MEET PROJECT REQUIREMENTS IS THE RESPONSIBILITY OF THE DESIGNER AND ARCHITECT. RHEINZINK GMBH & CO KG MAKES NO REPRESENTATIONS AND WARRANTIES OTHER THAN THOSE EXPRESSED HEREIN.			
PROJECT:	STANDING SEAM ROOF DETAIL	DATE:	2-2026
DRAWING TITLE:	STEEP SLOPE CROSSJOINT DETAIL	SCALE:	N.T.S.
COPYRIGHT RESERVED. THIS DRAWING REMAINS THE PROPERTY OF RHEINZINK.		SHEET:	SSR-8



NOTES:


1. STANDING SEAM PANELS REQUIRE A MIN. OF 3:12 SLOPE.
2. DETAIL FOR 3:12 TO 6:12 ROOFS.
3. STANDING SEAM PANEL SYSTEMS REQUIRE AIR-Z OR ENKAMAT (7008 OR 7010); SEE REQUIREMENTS BASED ON SLOPE.
4. RHEINZINK RECOMMENDS STAINLESS STEEL FASTENERS AND CLIPS.

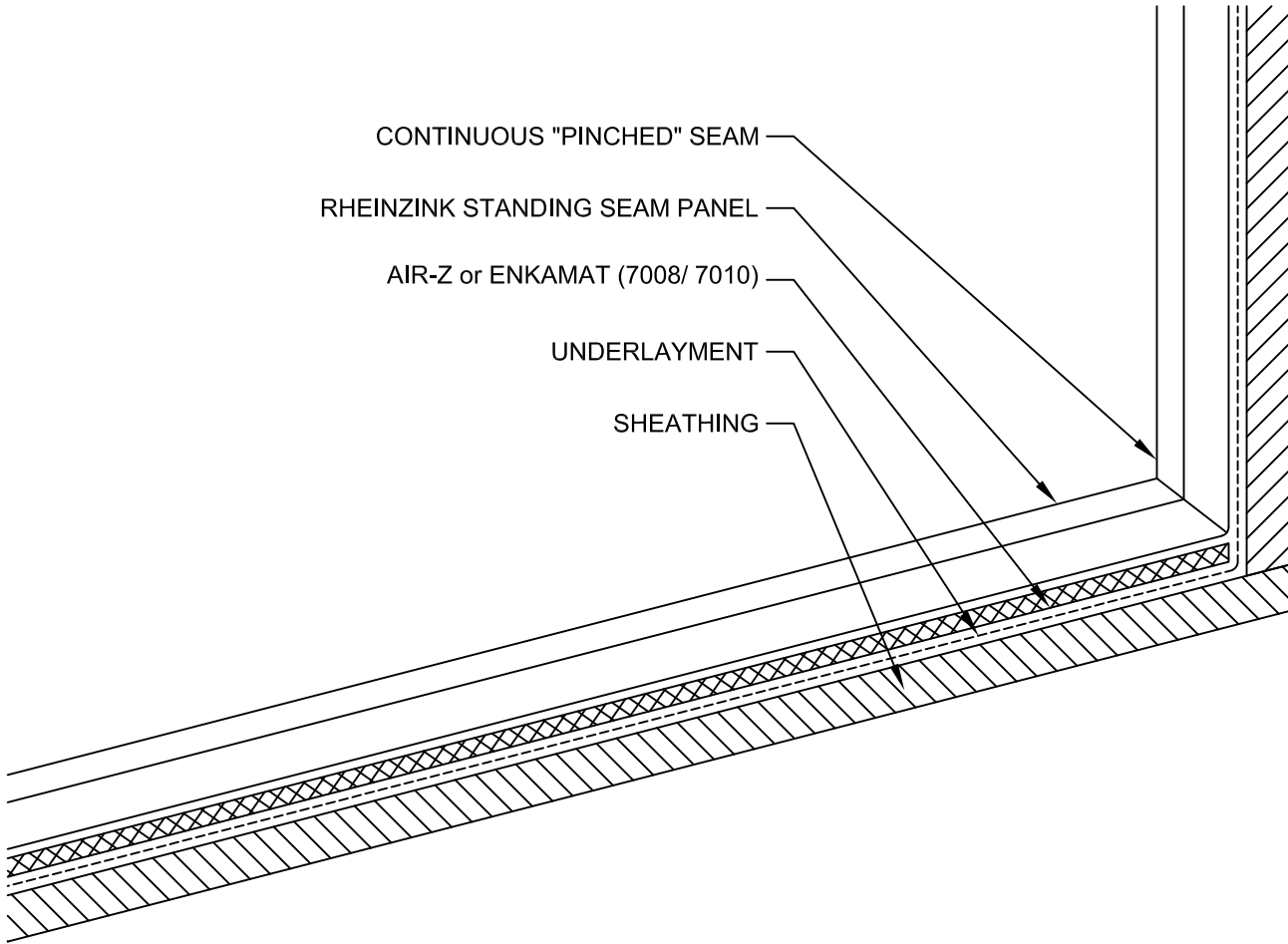
 Website: www.rheinzink.us E-mail: info@rheinzink.com		
INFORMATION AND DETAILS HEREIN ARE ONLY A BASELINE FOR SYSTEM DESIGN AND INSTALLATION. MODIFICATION TO MEET PROJECT REQUIREMENTS IS THE RESPONSIBILITY OF THE DESIGNER AND ARCHITECT. RHEINZINK GMBH & CO KG MAKES NO REPRESENTATIONS AND WARRANTIES OTHER THAN THOSE EXPRESSED HEREIN.		
PROJECT:	STANDING SEAM ROOF DETAIL	DATE: 2-2026
DRAWING TITLE:	MID SLOPE CROSS JOINT DETAIL	SCALE: N.T.S.
COPYRIGHT RESERVED. THIS DRAWING REMAINS THE PROPERTY OF RHEINZINK.		SHEET: SSR-9



NOTES:

1. STANDING SEAM PANELS REQUIRE A MIN. OF 3:12 SLOPE.
2. STANDING SEAM PANEL SYSTEMS REQUIRE AIR-Z OR ENKAMAT (7008 OR 7010); SEE REQUIREMENTS BASED ON SLOPE.
3. RHEINZINK RECOMMENDS STAINLESS STEEL FASTENERS AND CLIPS.

 Website: www.rheinzink.us E-mail: info@rheinzink.com	
INFORMATION AND DETAILS HEREIN ARE ONLY A BASELINE FOR SYSTEM DESIGN AND INSTALLATION. MODIFICATION TO MEET PROJECT REQUIREMENTS IS THE RESPONSIBILITY OF THE DESIGNER AND ARCHITECT. RHEINZINK GMBH & CO KG MAKES NO REPRESENTATIONS AND WARRANTIES OTHER THAN THOSE EXPRESSED HEREIN.	
PROJECT:	STANDING SEAM ROOF DETAIL
DATE:	2-2026
DRAWING TITLE:	ROOF TO WALL TRANSITION-OPT. 1
SCALE:	N.T.S.
COPYRIGHT RESERVED. THIS DRAWING REMAINS THE PROPERTY OF RHEINZINK.	SHEET: SSR-10a



CONTINUOUS "PINCHED" SEAM

RHEINZINK STANDING SEAM PANEL

AIR-Z or ENKAMAT (7008/ 7010)

UNDERLAYMENT

SHEATHING

NOTES:

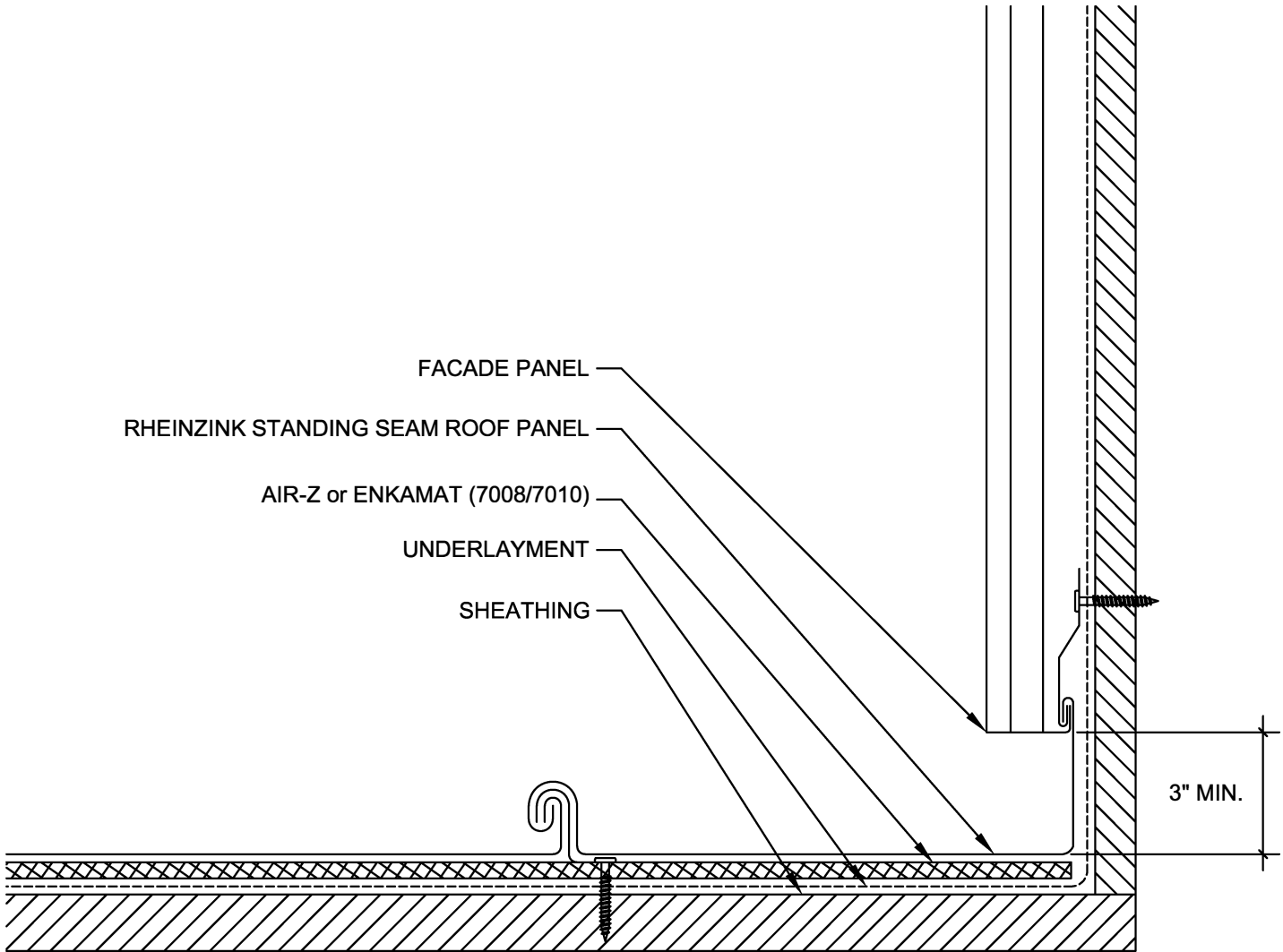
1. STANDING SEAM PANELS REQUIRE A MIN. OF 3:12 SLOPE.
2. STANDING SEAM PANEL SYSTEMS REQUIRE AIR-Z OR ENKAMAT (7008 OR 7010); SEE REQUIREMENTS BASED ON SLOPE.
3. RHEINZINK RECOMMENDS STAINLESS STEEL FASTENERS AND CLIPS.



Website: www.rheinzink.us E-mail: info@rheinzink.com

INFORMATION AND DETAILS HEREIN ARE ONLY A BASELINE FOR SYSTEM DESIGN AND INSTALLATION. MODIFICATION TO MEET PROJECT REQUIREMENTS IS THE RESPONSIBILITY OF THE DESIGNER AND ARCHITECT. RHEINZINK GMBH & CO KG MAKES NO REPRESENTATIONS AND WARRANTIES OTHER THAN THOSE EXPRESSED HEREIN.

PROJECT:	STANDING SEAM ROOF DETAIL	DATE:	2-2026
DRAWING TITLE:	ROOF TO WALL TRANSITION-OPT. 2	SCALE:	N.T.S.
COPYRIGHT RESERVED. THIS DRAWING REMAINS THE PROPERTY OF RHEINZINK.		SHEET:	SSR-10b



NOTES:

1. STANDING SEAM PANELS REQUIRE A MIN. OF 3:12 SLOPE.
2. STANDING SEAM PANEL SYSTEMS REQUIRE AIR-Z OR ENKAMAT (7008 OR 7010); SEE REQUIREMENTS BASED ON SLOPE.
3. RHEINZINK RECOMMENDS STAINLESS STEEL FASTENERS AND CLIPS.



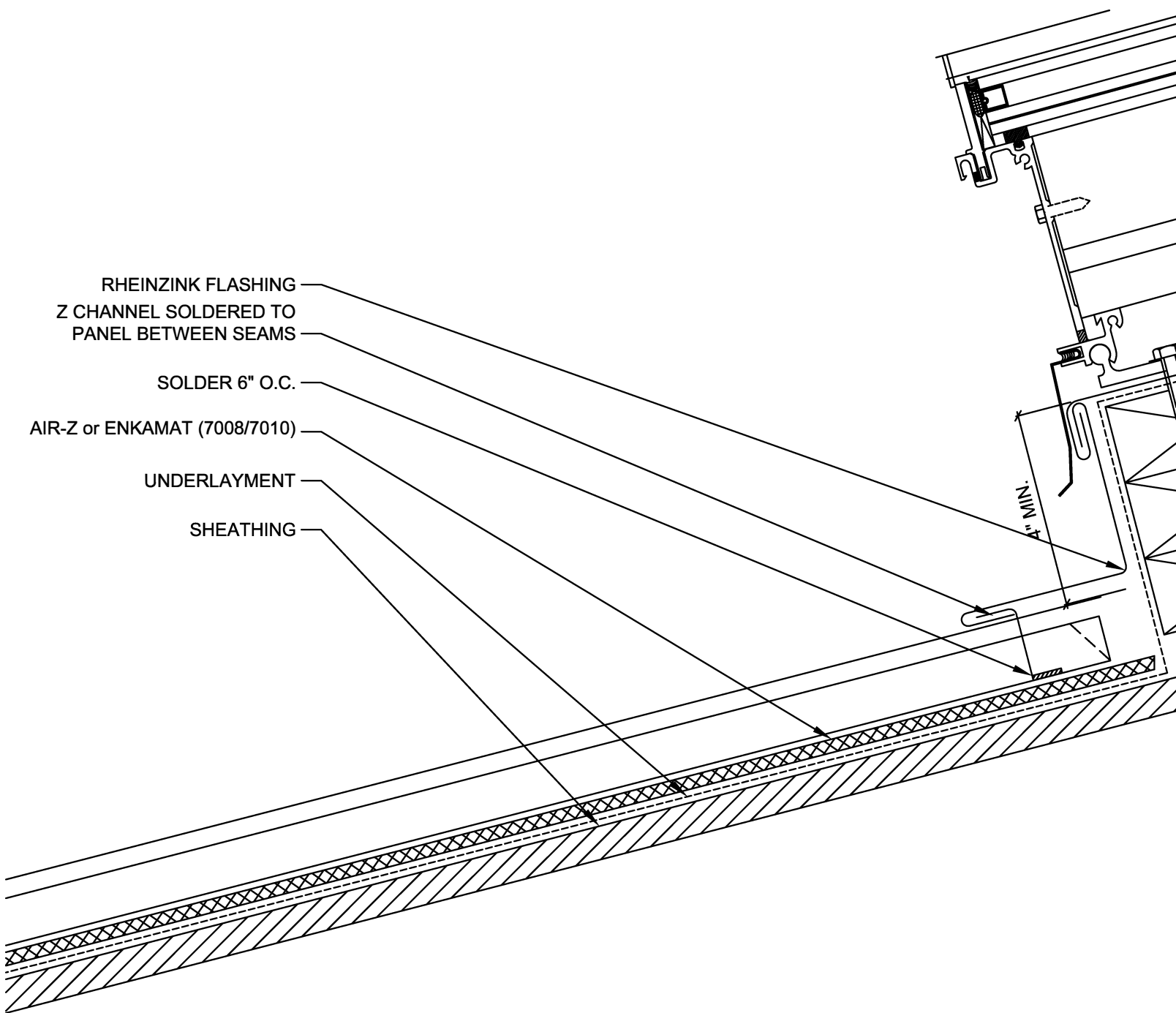
Website: www.rheinzink.us E-mail: info@rheinzink.com

INFORMATION AND DETAILS HEREIN ARE ONLY A BASELINE FOR SYSTEM DESIGN AND INSTALLATION. MODIFICATION TO MEET PROJECT REQUIREMENTS IS THE RESPONSIBILITY OF THE DESIGNER AND ARCHITECT. RHEINZINK GMBH & CO KG MAKES NO REPRESENTATIONS AND WARRANTIES OTHER THAN THOSE EXPRESSED HEREIN.

PROJECT:	STANDING SEAM ROOF DETAIL	DATE:	2-2026
----------	---------------------------	-------	--------


DRAWING TITLE:	SIDEWALL DETAIL	SCALE:	N.T.S.
----------------	-----------------	--------	--------

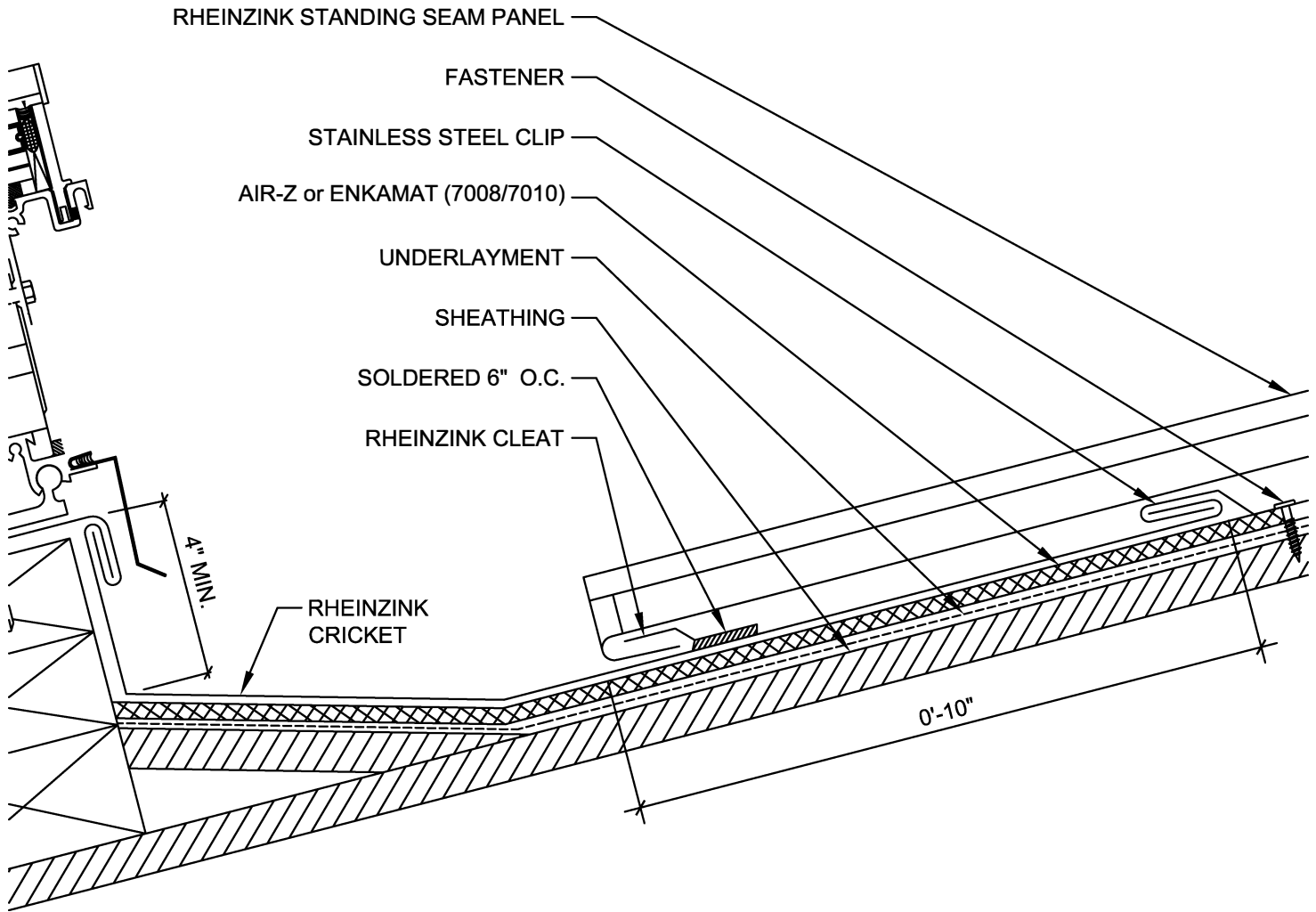
COPYRIGHT RESERVED. THIS DRAWING REMAINS THE PROPERTY OF RHEINZINK.	SHEET:	SSR-11
---	--------	--------



NOTES:


1. STANDING SEAM PANELS REQUIRE A MIN. OF 3:12 SLOPE.
2. STANDING SEAM PANEL SYSTEMS REQUIRE AIR-Z OR ENKAMAT (7008 OR 7010); SEE REQUIREMENTS BASED ON SLOPE.
3. RHEINZINK RECOMMENDS STAINLESS STEEL FASTENERS AND CLIPS.

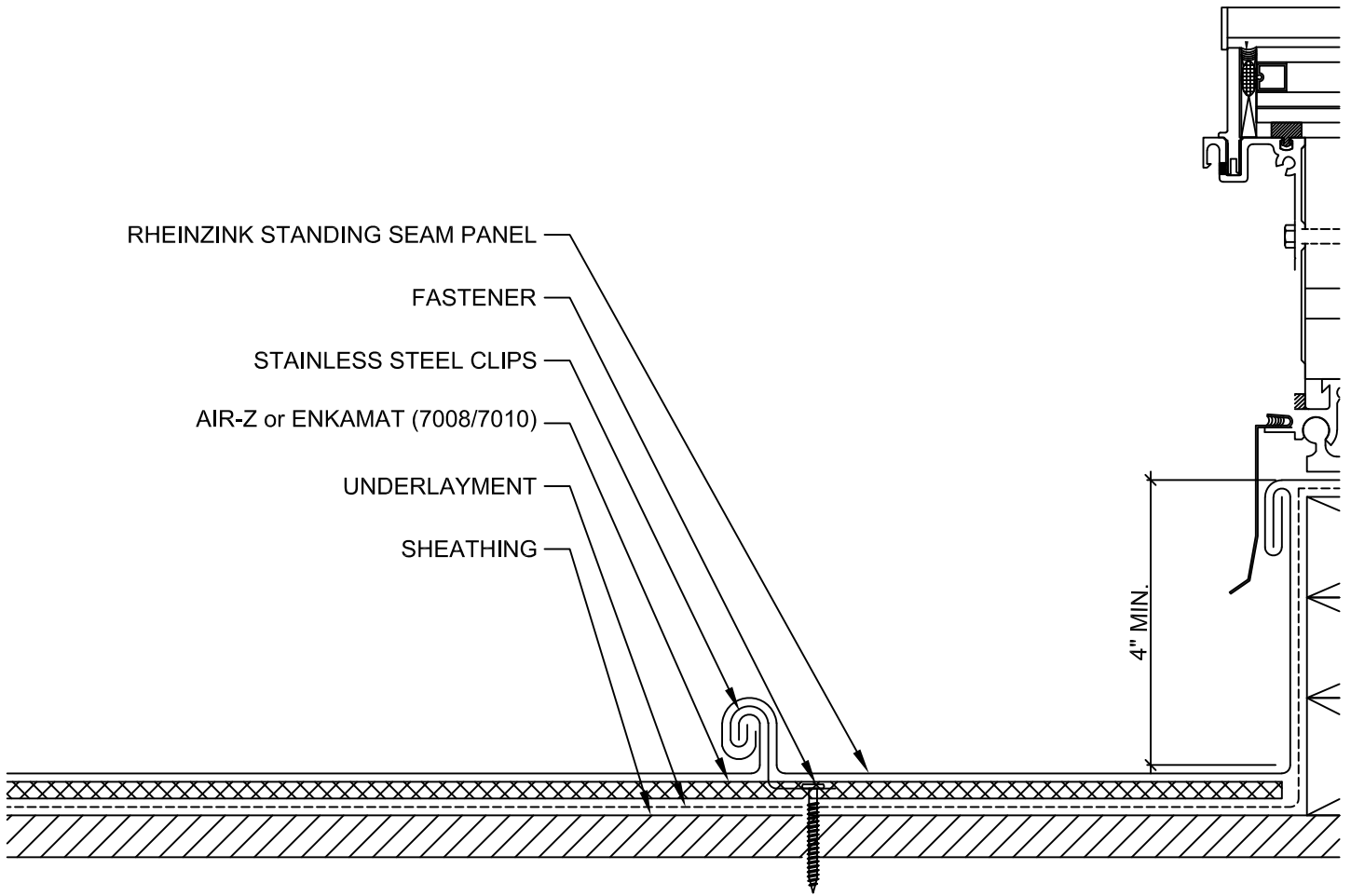
	
Website: www.rheinzink.us E-mail: info@rheinzink.com	
INFORMATION AND DETAILS HEREIN ARE ONLY A BASELINE FOR SYSTEM DESIGN AND INSTALLATION. MODIFICATION TO MEET PROJECT REQUIREMENTS IS THE RESPONSIBILITY OF THE DESIGNER AND ARCHITECT. RHEINZINK GMBH & CO KG MAKES NO REPRESENTATIONS AND WARRANTIES OTHER THAN THOSE EXPRESSED HEREIN.	
PROJECT:	STANDING SEAM ROOF DETAIL
DATE:	2-2026
DRAWING TITLE:	SKYLIGHT SILL DETAIL
SCALE:	N.T.S.
COPYRIGHT RESERVED. THIS DRAWING REMAINS THE PROPERTY OF RHEINZINK.	SHEET: SSR-12



NOTES:


1. STANDING SEAM PANELS REQUIRE A MIN. OF 3:12 SLOPE.
2. STANDING SEAM PANEL SYSTEMS REQUIRE AIR-Z OR ENKAMAT (7008 OR 7010); SEE REQUIREMENTS BASED ON SLOPE.
3. RHEINZINK RECOMMENDS STAINLESS STEEL FASTENERS AND CLIPS.

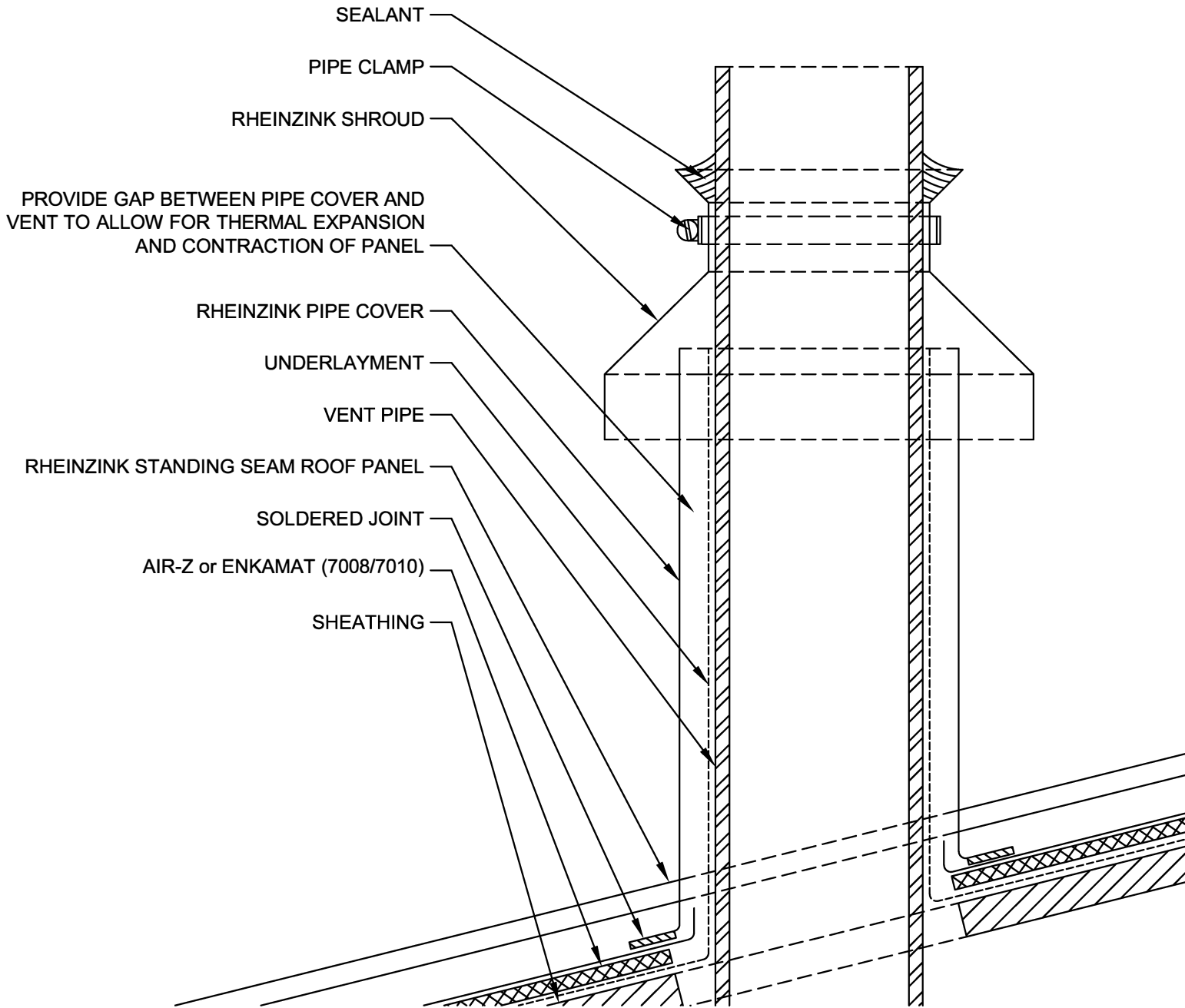
 Website: www.rheinzink.us E-mail: info@rheinzink.com	
INFORMATION AND DETAILS HEREIN ARE ONLY A BASELINE FOR SYSTEM DESIGN AND INSTALLATION. MODIFICATION TO MEET PROJECT REQUIREMENTS IS THE RESPONSIBILITY OF THE DESIGNER AND ARCHITECT. RHEINZINK GMBH & CO KG MAKES NO REPRESENTATIONS AND WARRANTIES OTHER THAN THOSE EXPRESSED HEREIN.	
PROJECT:	STANDING SEAM ROOF DETAIL
DATE:	2-2026
DRAWING TITLE:	SKYLIGHT HEAD DETAIL
SCALE:	N.T.S.
COPYRIGHT RESERVED. THIS DRAWING REMAINS THE PROPERTY OF RHEINZINK.	SHEET: SSR-13



NOTES:


1. STANDING SEAM PANELS REQUIRE A MIN. OF 3:12 SLOPE.
2. STANDING SEAM PANEL SYSTEMS REQUIRE AIR-Z OR ENKAMAT (7008 OR 7010); SEE REQUIREMENTS BASED ON SLOPE.
3. RHEINZINK RECOMMENDS STAINLESS STEEL FASTENERS AND CLIPS.

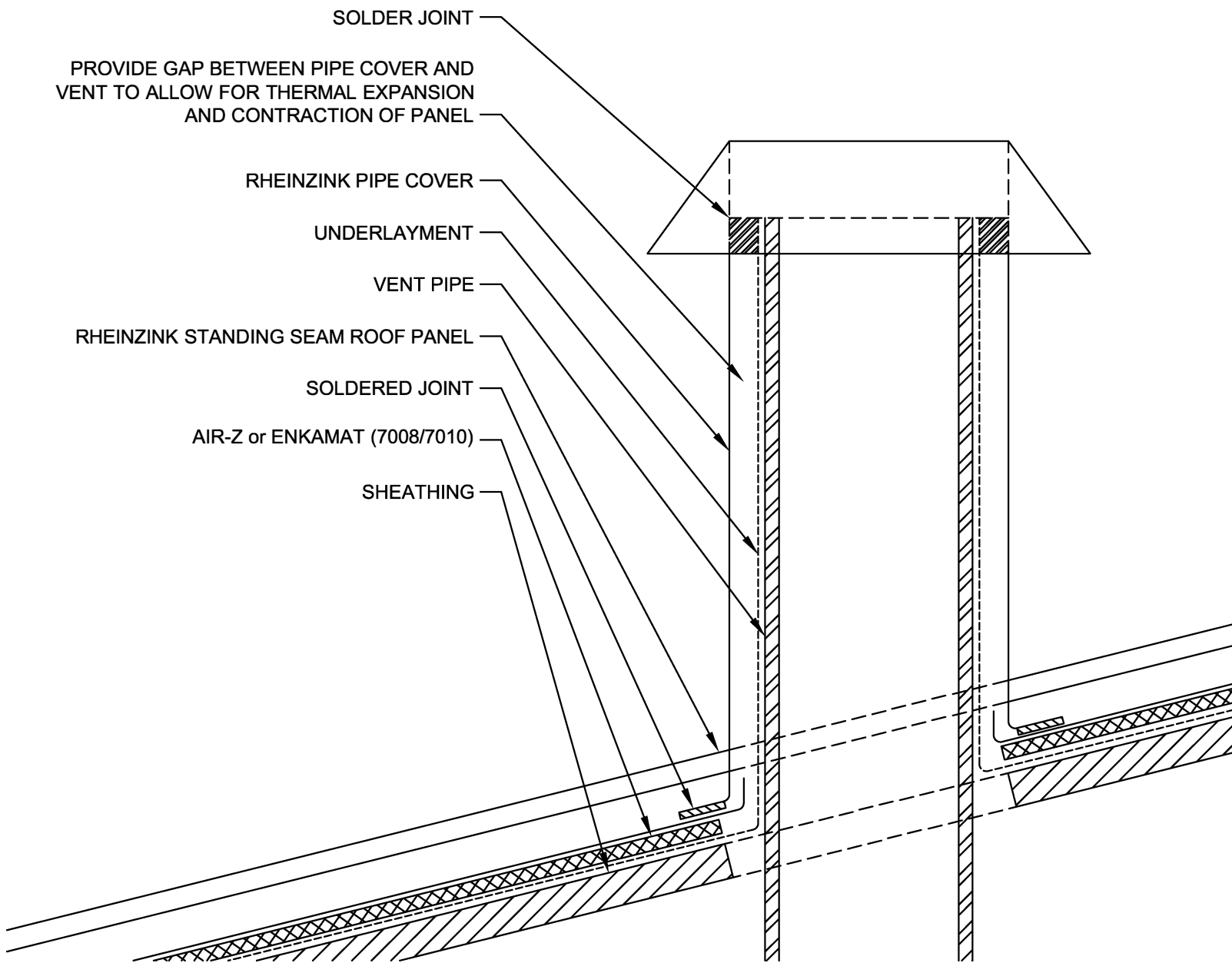
 Website: www.rheinzink.us E-mail: info@rheinzink.com	
INFORMATION AND DETAILS HEREIN ARE ONLY A BASELINE FOR SYSTEM DESIGN AND INSTALLATION. MODIFICATION TO MEET PROJECT REQUIREMENTS IS THE RESPONSIBILITY OF THE DESIGNER AND ARCHITECT. RHEINZINK GMBH & CO KG MAKES NO REPRESENTATIONS AND WARRANTIES OTHER THAN THOSE EXPRESSED HEREIN.	
PROJECT:	STANDING SEAM ROOF DETAIL
DATE:	2-2026
DRAWING TITLE:	SKYLIGHT JAMB DETAIL
SCALE:	N.T.S.
COPYRIGHT RESERVED. THIS DRAWING REMAINS THE PROPERTY OF RHEINZINK.	SHEET: SSR-14



NOTES:


1. STANDING SEAM PANELS REQUIRE A MIN. OF 3:12 SLOPE.
2. STANDING SEAM PANEL SYSTEMS REQUIRE AIR-Z OR ENKAMAT (7008 OR 7010); SEE REQUIREMENTS BASED ON SLOPE.
3. RHEINZINK RECOMMENDS STAINLESS STEEL FASTENERS AND CLIPS.

 Website: www.rheinzink.us E-mail: info@rheinzink.com	
INFORMATION AND DETAILS HEREIN ARE ONLY A BASELINE FOR SYSTEM DESIGN AND INSTALLATION. MODIFICATION TO MEET PROJECT REQUIREMENTS IS THE RESPONSIBILITY OF THE DESIGNER AND ARCHITECT. RHEINZINK GMBH & CO KG MAKES NO REPRESENTATIONS AND WARRANTIES OTHER THAN THOSE EXPRESSED HEREIN.	
PROJECT:	STANDING SEAM ROOF DETAIL
DRAWING TITLE:	VENT PIPE PENETRATION - OPT. 1
DATE:	2-2026
SCALE:	N.T.S.
COPYRIGHT RESERVED. THIS DRAWING REMAINS THE PROPERTY OF RHEINZINK.	SHEET:
	SSR-15a



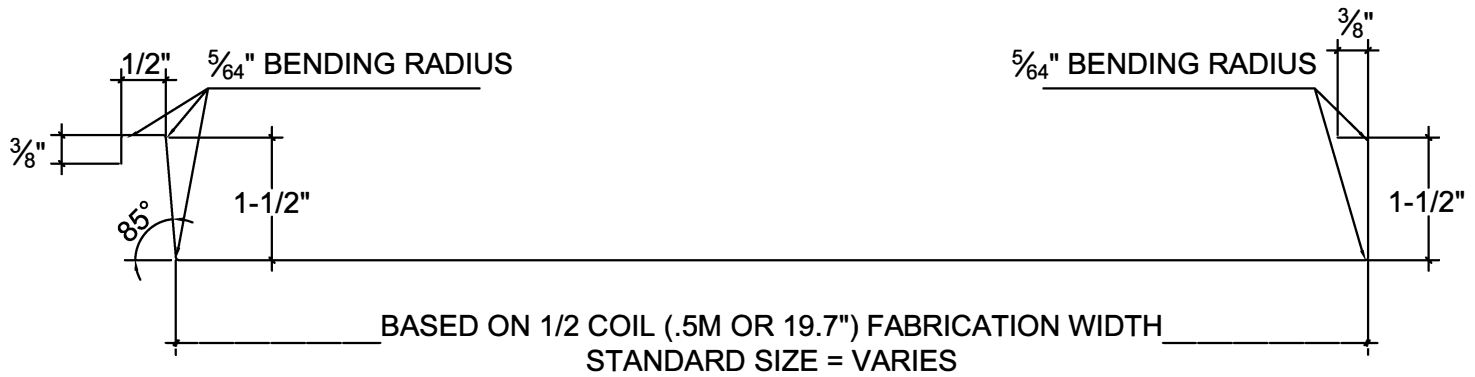
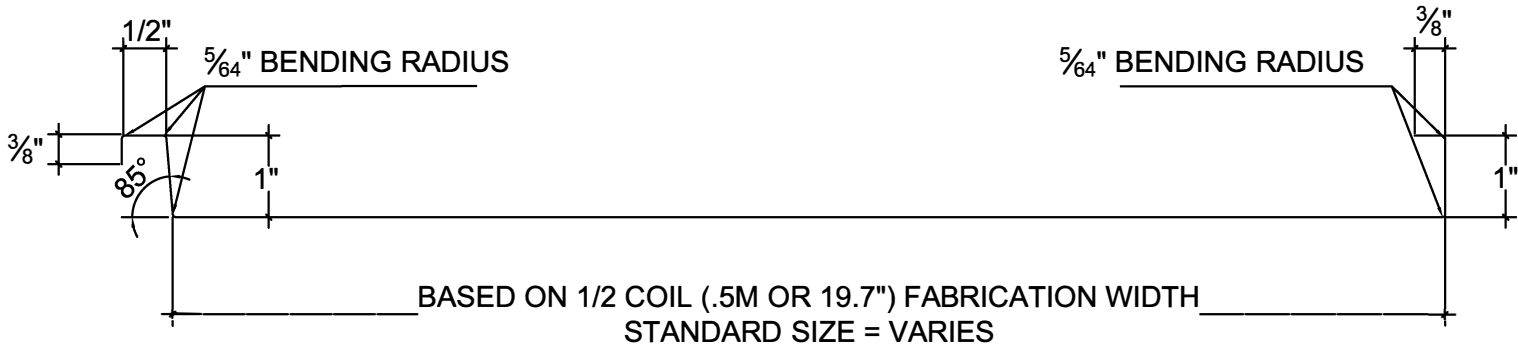
NOTES:

1. STANDING SEAM PANELS REQUIRE A MIN. OF 3:12 SLOPE.
2. STANDING SEAM PANEL SYSTEMS REQUIRE AIR-Z OR ENKAMAT (7008 OR 7010); SEE REQUIREMENTS BASED ON SLOPE.
3. RHEINZINK RECOMMENDS STAINLESS STEEL FASTENERS AND CLIPS.
4. PROVIDE GAP BETWEEN PIPE COVER AND VENT TO ALLOW FOR THE THERMAL EXPANSION AND CONTRACTION OF PANEL.

 Website: www.rheinzink.us E-mail: info@rheinzink.com		
INFORMATION AND DETAILS HEREIN ARE ONLY A BASELINE FOR SYSTEM DESIGN AND INSTALLATION. MODIFICATION TO MEET PROJECT REQUIREMENTS IS THE RESPONSIBILITY OF THE DESIGNER AND ARCHITECT. RHEINZINK GMBH & CO KG MAKES NO REPRESENTATIONS AND WARRANTIES OTHER THAN THOSE EXPRESSED HEREIN.		
PROJECT:	STANDING SEAM ROOF DETAIL	DATE: 2-2026
DRAWING TITLE:	VENT PIPE PENETRATION - OPT. 2	SCALE: N.T.S.
COPYRIGHT RESERVED. THIS DRAWING REMAINS THE PROPERTY OF RHEINZINK.		SHEET: SSR-15b

GENERAL NOTES:

1. ALL DIMENSIONS ARE INCHES OR FRACTIONS THEREOF.
2. MATERIAL .7mm OR .8mm RHEINZINK PREWEATHERED TITANIUM ZINC.



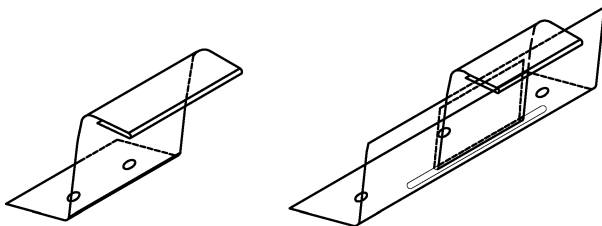
DOUBLE LOCK
 STANDING
 SEAM
 SLOPE > 3°
 (5/8:12)

ANGLED
 STANDING SEAM
 SLOPE > 25° (6:12)
 SLOPE > 35° (9:12) IN
 AREAS OF HIGH
 SNOW

EAVES TERMINATION
 STANDING ROUND

EAVES TERMINATION
 STANDING DIAGONAL

EAVES TERMINATION
 STANDING STRAIGHT



NOTES:

1. STANDING SEAM PANELS REQUIRE A MIN. OF 3:12 SLOPE.
2. STANDING SEAM PANEL SYSTEMS REQUIRE AIR-Z OR ENKAMAT (7008 OR 7010); SEE REQUIREMENTS BASED ON SLOPE.
3. RHEINZINK RECOMMENDS STAINLESS STEEL FASTENERS AND CLIPS.



Website: www.rheinzink.us E-mail: info@rheinzink.com

INFORMATION AND DETAILS HEREIN ARE ONLY A BASELINE FOR SYSTEM DESIGN AND INSTALLATION. MODIFICATION TO MEET PROJECT REQUIREMENTS IS THE RESPONSIBILITY OF THE DESIGNER AND ARCHITECT. RHEINZINK GMBH & CO KG MAKES NO REPRESENTATIONS AND WARRANTIES OTHER THAN THOSE EXPRESSED HEREIN.

PROJECT: STANDING SEAM ROOF DETAIL DATE: 2-2026

DRAWING TITLE: PANEL PROFILE & CLIP DETAIL SCALE: N.T.S.

COPYRIGHT RESERVED. THIS DRAWING REMAINS THE PROPERTY OF RHEINZINK. SHEET: SSR-16