



GUTTER SYSTEMS

System Technology for Rainwater Goods

DESIGN AND APPLICATION



Private Residence, Des Moines, IA



RHEINZINK Leaf Guard



RHEINZINK Snap-Lock Bracket

RHEINZINK Gutter Systems

1. RHEINZINK gutters are available in the PATINA PRODUCT LINE only.



2. RHEINZINK Gutter Systems may be used with asphalt shingle roofing applications as well as many other roofing materials (Please refer to Chapter 1 - "Influences from other Building Materials" for the complete list of compatible roofing products)

3. Easy to install

4. Water diversion and collection parts available.

5. Economical and Environmentally Friendly

6. Water diversion and collection parts

available.

7. ProRoofing recommended on all gutter flashings.

8. Available thicknesses:
 ■ 0.8 mm
 ■ 0.7 mm

9. Available Gutter lengths:
 ■ 3 meters (9.84 feet)

10. Available Gutter Sizes:
 ■ 5" (0.7 mm)
 ■ 6" (0.7 mm)
 ■ 7-1/2" (0.8 mm)

11. Precision-fitted pieces

12. Requires little or no maintenance

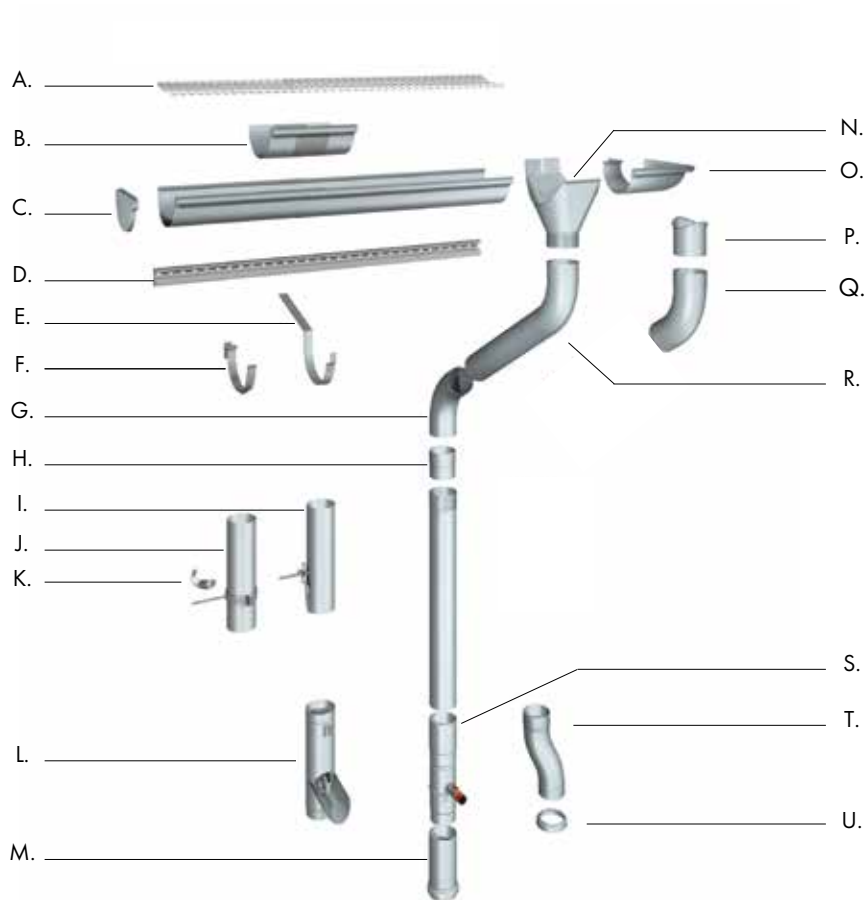
13. Refer to the RHEINZINK baseline details for design options. Consult the RHEINZINK

technical department for customized applications as well as soldering and complete installation instructions.

14. RHEINZINK Gutter Systems can adapt to new or retrofit construction.



Photo on front page: Private Residence, MA



Gutter Components:

- A. Leaf Guard
- B. Expansion Joint
- C. Endcap (L&R)
- D. Snap-Lock Bracket Rail
- E. Gutter Bracket
- F. Snap-Lock Bracket
- G. Elbow
- H. Downspout Adapter
- I. Hidden Downspout Hanger
- J. Solid Zinc Downspout Bracket
- K. Downspout Wedge
- L. Leaf Collector
- M. Drainfile Extension
- N. Plug In Outlet
- O. Miter
- P. Drop In Outlet
- Q. Elbow
- R. Extended Elbow
- S. Gardena
- T. Downspout Offset
- U. Downspout Skirt